

Product: **KLUDI MX XXL single lever basin mixer DN 10**

Ref.: **331840562**

**Product description**

XXL single lever basin mixer DN 10  
 extractable unit  
 for hair washing  
 open ring lever  
 single hole mounted  
 flow class A  
 s-pointer aerator M 24 x I  
 ceramic cartridge with hot water safety device  
 without pop up waste  
 safety-point lowering function  
 flexible high pressure supply tubes G 3/8  
 noise group I

Finishes:  
 05 chrome

**Advertisement**

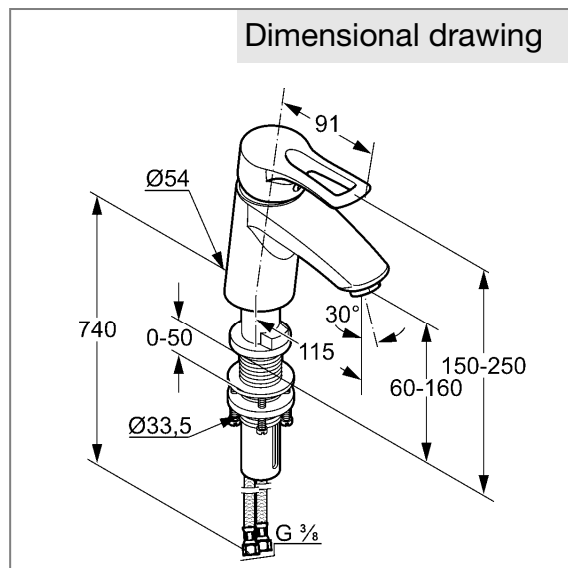
- \* KLUDI GmbH & Co. KG KLUDI MX XXL single lever basin mixer item no. 331840562
- \*\* ceramic cartridge with hot water safety device Ø 41 mm, DIN EN 817
- \*\*\* chrome plated brass, DIN 50930-6

single lever basin mixer, manufacturer KLUDI GmbH & Co. KG KLUDI MX XXL single lever basin mixer item no. 331840562, DN 10, chrome plated brass, ceramic cartridge with hot water safety device Ø 41 mm, open ring lever, noise level DIN EN 4109 group I, without report no., type: single lever basin mixer DN 10 with pull out function unit, flow class A (max. 0,25 l/s), with swivel s-pointer aerator M 24 X I A, flexible high pressure supply tubes 3/8 inch with DVGW / KIWA / WRAS / CSTB with metal body length 740 mm, nozzle projection 115 mm, nozzle height 60 mm, lever projection 91 mm, with installation set, overall length in normal position 150 mm, in high position 250 mm, with safety-point-lowering-function, for pressure type water heater, for continuous line heater, PN 10,

Product picture



Dimensional drawing



Flow rate diagram

