

Product: KLUDI SPEZIAL bath and shower mixer DN 15

Ref.: 254130515

Product description

bath and shower mixer DN 15
 ABS Terralux handle
 wall fastening
 distance from center to center 45 mm
 flow class BA
 aerator M 22 x I
 swivel spout 250 mm
 automatic diverter: shower to bath tub
 shower outlet G 1/2
 protected against back flow
 S unions G 1/2 x G 1/2
 Tele handshower DN 15, chrome plated
 Tele wall holder, transparent

Universal hose, chrome plated 1250 mm
 noise group II
 P-IX 4087/IIBA

Finishes:
 05 chrome

Advertisement

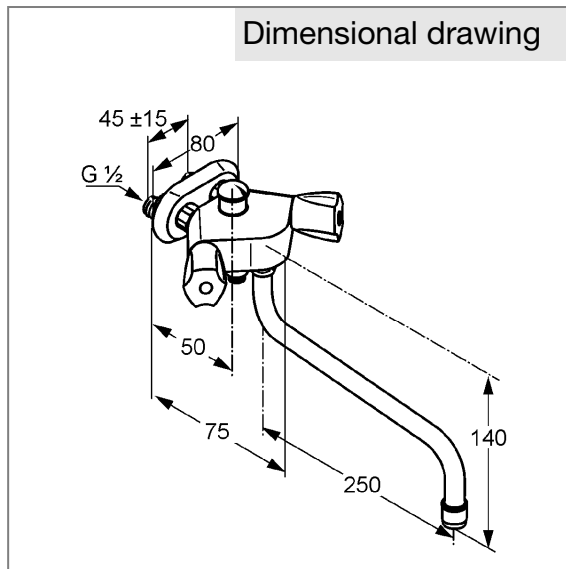
- * KLUDI GmbH & Co KG Kludi SPEZIAL bath and shower mixer item no. 254130515
- ** classic headparts, DIN EN 200
- *** chrome plated brass, DIN 50930-6

bath and shower mixer, manufacturer KLUDI GmbH & Co KG KLUDI SPEZIAL bath and shower mixer item no. 254130515, DN 15, chrome plated brass, type: bath and shower mixer DN 15, swivel spout, handle projection 50 mm, aerator M 22 x I, noise level DIN EN 4109 group II, report no. P- IX 4087 / IIBA, flow class B A (max. 0,42 l/s / 0,25 l/s), nozzle projection 250 mm, S unions 1/2 x 1/2 inch, classic headparts, handles ABS Terralux chrome plated marked: red / blue, shower outlet 1/2 inch, automatic diverter: shower to bath tub, protected against back flow DIN EN 1717, Tele handshower DN 15 chrome plated, shower hose with metal effect length 1250 mm, Tele wall holder transparent, distance from center to center 45 mm, for pressure type water heater, for continuous line heater, PN 10,

Product picture



Dimensional drawing



Flow rate diagram

