

**Product:** KLUDI MEDI CARE wall mounted single lever mixer DN 15

**Ref.:** 349200524

### Product description

wall mounted single lever mixer DN 15  
 arm lever for hospital purpose  
 wall fastening  
 flow class Z  
 flow rate 8 l/min  
 care jet-spray regulator M 24 x I  
 safety ceramic cartridges with hot water safety stop  
 movable and lockable spout  
 projection 245 mm  
 S unions  
 noise group I  
 PA-IX 9573/IZ

Finishes:  
 05 chrome

### Product picture

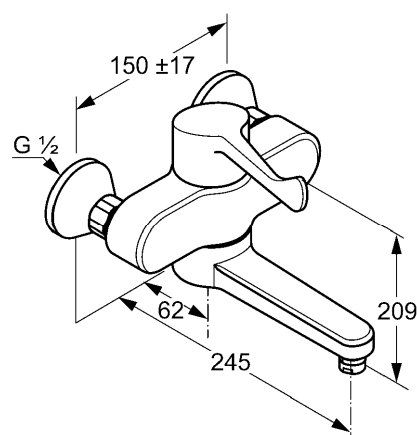


### Advertisement

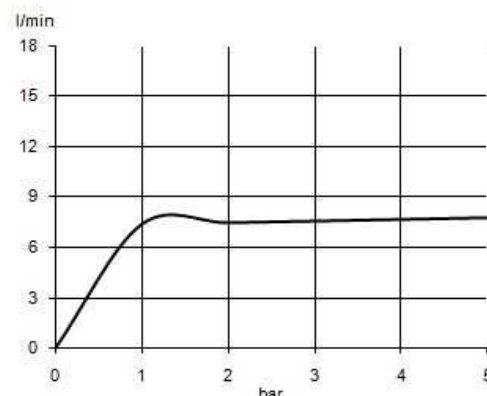
- \* KLUDI GmbH & Co. KG KLUDI MEDI-CARE single lever wall mixer item no. 349200524
- \*\* safety ceramic cartridge with hot water safety stop Ø 35 mm, DIN EN 817
- \*\*\* chrome plated brass, DIN 50930-6

single lever wall mixer DN 15, manufacturer KLUDI GmbH & Co. KG KLUDI MEDI-CARE single lever wall mixer item no. 349200524, DN 15, chrome plated brass, safety ceramic cartridge with hot water safety stop Ø 35 mm, flow rate 8 l/min, type: single lever wall mixer DN 15, movable and lockable spout, PCA care- non aerated M 24 x I, noise level DIN EN 4109 group I, report no. PA- IX 9573 / IZ, lever projection 160 mm, S unions 1/2 x 3/4 inch, nozzle projection 245 mm, overall length 209 mm, arm lever for hospital purpose, for pressure type water heater, for continuous line heater, PN 10,

### Dimensional drawing



### Flow rate diagram



Laminarstrahl  
 non aerated