

Product: KLUDI OBJEKTA THERM E thermostatic bath and shower mixer DN 15

Ref.: 352600538

Product description

thermostatic bath and shower mixer DN 15
 wall fastening
 flow class BB
 Cascade aerator M 28 x l
 temperature control handle with hot water safety device 38°C
 with ceramic shut-off valve 180°
 50 % water consumption regulation
 automatic diverter: shower to bath tub
 shower outlet G 1/2
 protected against back flow
 dirt-catcher sieve
 S unions
 without shower set, noise group I

Finishes:
 05 chrome

Advertisement

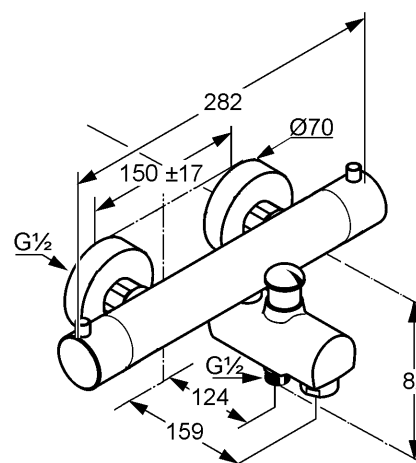
- * KLUDI GmbH & Co KG KLUDI OBJEKT THERM E thermostatic bath and shower mixer item no. 352600538
- ** temperature control handle with hot water safety device 38°C, DIN EN 1111
- *** chrome plated brass, DIN 50930-6
- **** ceramic headpart 180°, DIN EN 200

thermostat bath and shower mixer, manufacturer KLUDI GmbH & Co KG KLUDI OBJEKTA THERM E thermostatic bath and shower mixer item no. 352600538, DN 15, chrome plated brass, ceramic headpart, solid handle, noise level DIN EN 4109 group I, without report no., temperature control handle with hot water safety device 38°C, type: thermostatic bath and shower mixer DN 15, flow class B B (max. 0,42 l/s), shower outlet 1/2 inch, protected against back flow DIN EN 1717, S unions 1/2 x 3/4 inch, cascade aerator M 28 x l, with automatic diverter: shower to bath tub, dirt-catcher sieve, 50% water consumption regulation, nozzle projection 159 mm, for pressure type water heater, for continuous line heater, PN 10,

Product picture



Dimensional drawing



Flow rate diagram

