

Product: KLUDI AMBA wall spout DN 20

Ref.: 5350505

Product description

wall spout DN 20
 wall fastening
 aerator M 24 x 1
 flow rate 36 l/min at 3 bar
 with sliding cover plate
 connection 3/4 inch
 projection 170 mm

Finishes:
 05 chrome

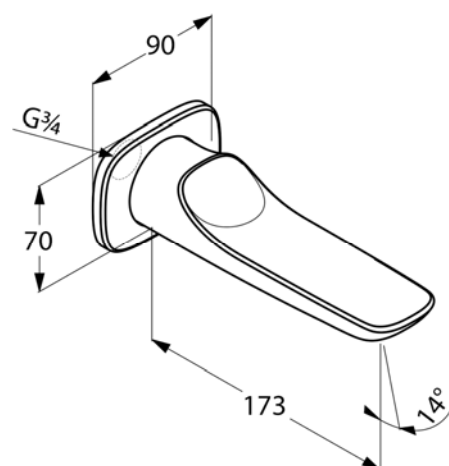
Product picture



Advertisement

wall spout, manufacturer KLUDI GmbH & Co KG
 KLUDI AMBA item no. 5350505
 type: wall spout DN 20 / PN 5, chrome plated brass, spout with aerator M 24 x 1, flow rate 36 l/min at 3 bar, sliding cover plate chrome plated, connection 3/4 inch
 dimensions: nozzle projection 173 mm, cover plate: 90/70 mm

Dimensional drawing



Flow rate diagram

