

Product: **KLUDI P-Trap G 1 1/4"**

Ref.: **1025005-00**

Product description

P-Trap G 1 1/4"
 G 1 1/4" x 32 mm
 standard model
 with outlet bend \varnothing 32 x 170 mm
 with wall flange (escutcheon) \varnothing 65 mm
 according to DIN EN 274

Finishes:
 05 chrome

Product picture

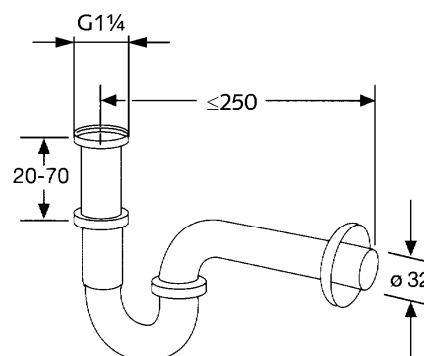


Advertisement

- * KLUDI GmbH & Co KG KLUDI P-Trap item no. 1025005-00
- ** chrome plated brass
- *** DIN EN 274

P-Trap 1 1/4 inch, manufacturer KLUDI GmbH & Co KG KLUDI P-Trap item no. 1025005-00, standard model, chrome plated brass, rosette chrome plated diameter 65 mm, for wash basin, with outlet bend 32 mm x 170 mm, in acc. to DIN EN 19 545 / DIN EN 274, adjustable drain pipe up to 20 - 70 mm, for wall connection \leq 250 mm, flow rate in accord. to EN 274 = 36,0 l/min,

Dimensional drawing



Flow rate diagram

**waste flow rate in
 accordance to
 DIN EN 274
 36,0 l/min**