

Product: **KLUDI BOZZ thermostatic shower mixer DN 15**

Ref.: **352030538**

Product description

thermostatic shower mixer DN 15
 wall fastening
 flow class B
 temperature control handle with hot water safety device 38°C
 with ceramic headpart 180°
 shower outlet G 1/2
 protected against back flow
 dirt-catcher sieve
 S unions
 without shower set
 noise group I
 P-IX 8049/IB

Finishes:
 05 chrome

Product picture

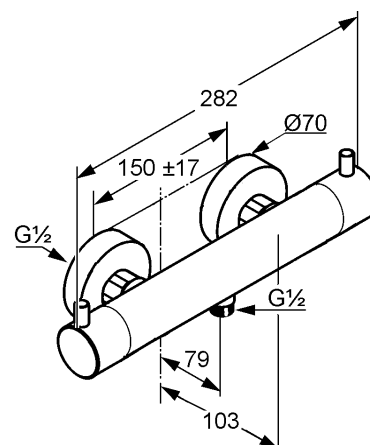


Advertisement

- * KLUDI GmbH & Co KG KLUDI BOZZ thermostatic shower mixer
 item no. 352030538
- ** chrome plated brass, DIN EN 50930-6
- *** thermostat control element, DIN EN 1111,
- **** protected against back flow, DIN EN 1717
- **** ceramic headpart 180°, DIN EN 200

thermostatic shower mixer, manufacturer KLUDI GmbH & Co KG KLUDI BOZZ
 thermostatic shower mixer item no. 352030538, DN 15, chrome plated brass,
 ceramic headpart 180 °, temperature control handle with hot water safety device 38
 °C, noise level DIN EN 4109 group I, report no. P - IX 8049 / IB, ceramic headpart and
 control unit in acc. to DIN EN 200 / 1111, type: thermostat shower mixer DN 15, flow
 class B (max. 0,42 l/s), shower outlet 1/2 inch, protected against back flow DIN EN
 1717, projection shower outlet 79/103 mm, S unions 1/2 x 3/4 inch, dirt-catcher
 sieve, for pressure type water heater, for continuous line heater, PN 10,

Dimensional drawing



Flow rate diagram

