

Technische Daten/ Technical Data

KLUDI NOVA FONTE
single lever basin mixer 100
DN 15
Style: PURA

Ref.: 200260115

Finishes:
O1 Matt Dove

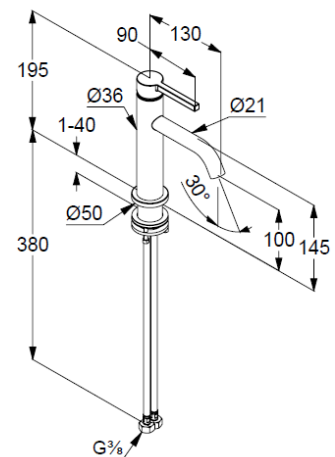
Product description
Manufacturer KLUDI GmbH & Co. KG
Typ: KLUDI NOVA FONTE
single lever basin mixer 100
Ref.: 200260115

basin mixer
single lever mixer
1-hole mounted
solid lever, metal
aerator, S-Pointer M18,5 PCA
ceramic cartridge
flow rate at 3 bar 4,5 l/min.
fixed spout
flexible hoses G $\frac{3}{8}$ DVGW approved
shank-fixing

Produktabbildung/ Product picture



Maßzeichnung/ Dimensional drawing



Durchfluss/ Flow rate

