

Product: KLUDI ADLON bath and shower mixer DN 15

Ref.: 51441 .. 20

Product description

bath and shower mixer DN 15
 cross handles
 wall fastening
 flow class BB
 Cascade aerator M 28 x I
 ceramic headparts 180°
 diverter: shower to bath
 shower outlet G 1/2
 protected against back flow
 S unions
 with KLUDI ADLON shower set
 noise group I
 KIWA

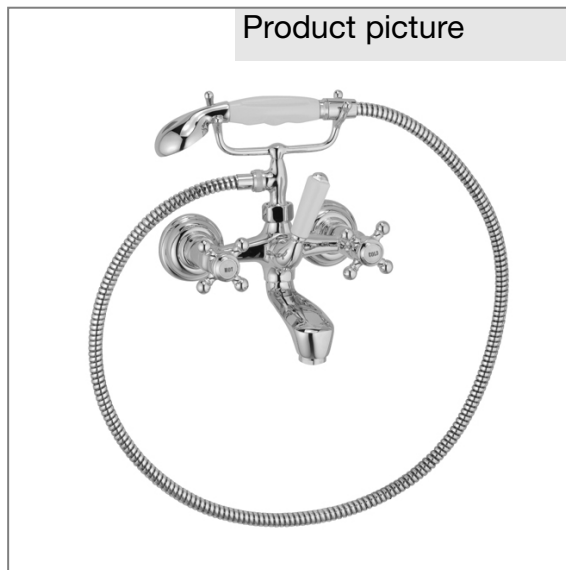
Finishes:
 05 chrome
 45 permabrass

Advertisement

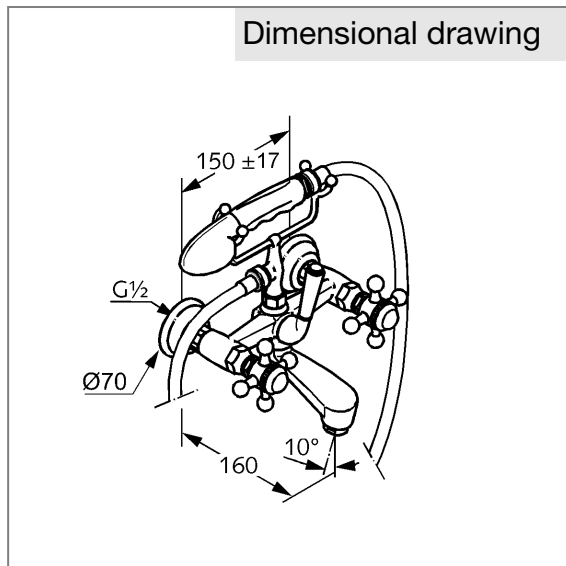
- * KLUDI GmbH & Co KG KLUDI ADLON bath and shower mixer item no. 51441..20
- ** ceramic headparts 180 °, DIN EN 200 // KIWA appr.
- *** chrome plated brass, DIN 50930-6

bath and shower mixer, manufacturer KLUDI GmbH & Co KG KLUDI ADLON bath and shower mixer item no. 51441..20, DN 15, finishes: 05 = chrome / 45 = permabrass plated brass, ceramic headparts 180 °, type: wall mounted bath and shower mixer DN 15, cascade aerator M 28 x I, noise level DIN EN 4109 group I, report no., KIWA approval, flow class BB (max. 0,42 l/s), nozzle projection 160 mm, S unions 1/2 x 3/4 inch, diverter: shower to bath, protected against back flow DIN EN 1717, cross handles, flexible shower hose 1/2 x 1/2 inch x 1250 mm, KLUDI ADLON handshower brass/ceramic 1/2 inch with shower spray, for pressure type water heater, for continuous line heater, PN 10,

Product picture



Dimensional drawing



Flow rate diagram

