

Product: **KLUDI STANDARD stand pillar tap DN 15**

Ref.: **2040705 ..**

### Product description

stand pillar tap DN 15  
 choice of handle  
 handle Terralux metal (08)  
 handle Terralux ABS (15)  
 single hole mounted  
 flow class A  
 aerator M 22 x l  
 swivel spout  
 outlet screw union G 3/4  
 handle marking: blue or red  
 noise group I  
 PA- IX 1247/IA  
 KIWA

Finishes:  
 05 chrome

### Advertisement

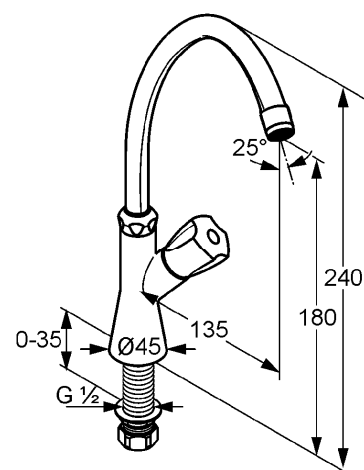
- \* KLUDI GmbH & Co KG KLUDI STANDARD stand pillar tap item no. 204070508/15
- \*\* classic headpart, DIN EN 200
- \*\*\* chrome plated brass, DIN 50930-6

stand pillar tap DN 15, manufacturer KLUDI GmbH & Co KG KLUDI STANDARD stand pillar tap item no. 204070508 / 204070515, DN 15, chrome plated brass, type: stand pillar tap DN 15, swivel spout, handle projection 50 mm, aerator M 22 x l, noise level DIN EN 4109 group I, report no. PA- IX 1247 / IA, KIWA approval, flow class A (max. 0,25 l/s), nozzle projection 135 mm, back nut fixing, without rigid pipe Ø 10 mm, nozzle height 180 mm, classic headpart 1/2", choice of handle marking: blue or red (handle 08/15), thread connection 1/2 inch with cap nut, outlet screw union 3/4 inch, overall length 240 mm, choice of handle: 08 = handle Terralux chrome plated metal, 15 = handle Terralux ABS chrome plated plastic, PN 10

Product picture



Dimensional drawing



Flow rate diagram

