

**Product:** KLUDI TERCIO XL single lever basin mixer DN 15, with pop up waste

**Ref.:** 384840575

**Product description**

single lever basin mixer XL DN 15  
 single hole mounted  
 solid lever  
 ceramic cartridge with hot water safety device  
 aerator M 24 x 1  
 flow rate 7,3 l/min at 3 bar  
 flexible high pressure supply tubes G 3/8 inch  
 rapid installation set  
 pop up waste 1 1/4 inch

Finishes:  
 05 chrome

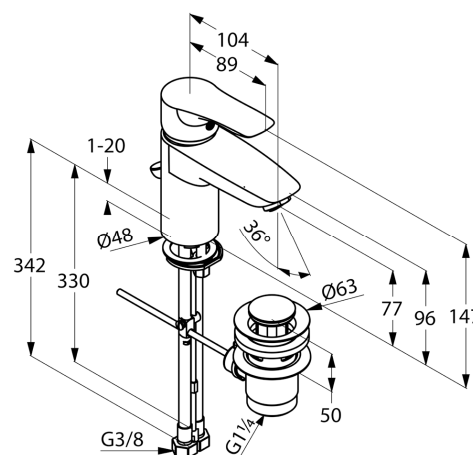
Product picture



**Advertisement**

single lever basin mixer, manufacturer KLUDI GmbH & Co. KG  
 KLUDI TERCIO item no. 384840575  
 type: single lever basin mixer XL, DN 15 / PN 10, chrome plated brass, with pop up waste 1 1/4 inch rod-pull and pull knob chrome plated, solid lever chrome plated metal, ceramic cartridge K-35 with hot water safety device, aerator M 24 x 1, flow rate 7,3 l/min at 3 bar, flexible high pressure supply tubes 3/8 inch with DVGW / W270 approval, rapid installation set  
 dimensions: height: 147 mm, nozzle height: 77 mm, projection: 104 mm, lever projection: 89 mm

Dimensional drawing



Flow rate diagram

