

Product: KLUDI MARIS single lever basin mixer DN 10

Ref.: 383800581

Product description

single lever basin mixer DN 10
 solid lever
 single hole mounted
 flow class Z
 Eco aerator M 24 x l
 ceramic cartridge with hot water safety device
 pop up waste 1 1/4 inch
 rapid installation set
 flexible high pressure supply tubes G 3/8
 noise group I
 P- IX 9777/IA

Finishes:
 05 chrome

Product picture

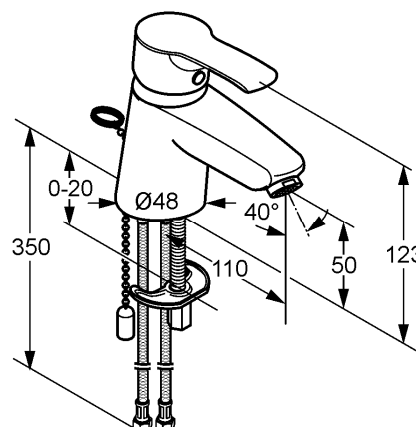


Advertisement

- * KLUDI GmbH & Co KG KLUDI MARIS single lever basin mixer item no. 383800581
- ** ceramic cartridge with hot water safety device Ø 35 mm, DIN-EN 817
- *** brass, DIN 50930-6

single lever basin mixer, manufacturer KLUDI GmbH & Co KG KLUDI MARIS single lever basin mixer item no. 383800581, DN 10, chrome plated brass, ceramic cartridge with hot water safety device Ø 35 mm, solid lever, noise level DIN EN 4109 group I, report no. P- IX 9777 / IA, type: single lever basin mixer DN 10, flow class Z (max. 0,15 l/s), Eco aerator M 24 X l Z, with retractable chain, flexible high pressure supply tubes 3/8 inch with DVGW / KIWA / WRAS / CSTB with metal body length 350 mm, nozzle projection 110 mm, nozzle height 50 mm, lever projection 83 mm, with rapid installation set, overall length 123 mm, for pressure type water heater, continuous line heater, PN 10,

Dimensional drawing



Flow rate diagram

