

Product: KLUDI BINGO STAR single lever basin mixer DN 10

Ref.: 420300578

Product description

single lever basin mixer DN 10
 solid lever
 single hole mounted
 flow class Z
 PCA Cache aerator M 16,5 x l
 ceramic cartridge with hot water safety device
 swivel spout with swing range 30°/30°
 pop up waste 1 1/4 inch
 rapid installation set
 flexible high pressure supply tubes G 3/8
 noise group I

Finishes:
 05 chrome

Product picture

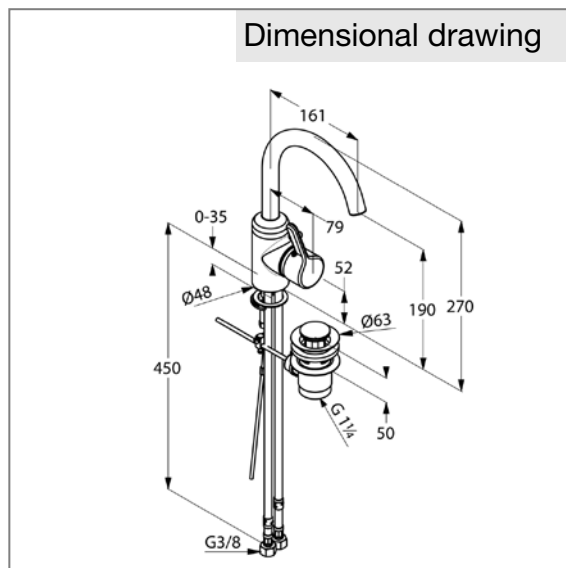


Advertisement

- * KLUDI GmbH & Co. KG KLUDI BINGO STAR single lever basin mixer item no. 420300578
- ** ceramic cartridge with hot water safety device Ø 35 mm, DIN EN 817
- *** chrome plated brass, DIN 50930-6

single lever basin mixer, KLUDI GmbH & Co. KG KLUDI BINGO STAR single lever basin mixer item no. 420300578, DN 10, chrome plated brass, ceramic cartridge with hot water safety device Ø 35 mm, solid lever, noise level DIN EN 4109 group I, without report no., type: single lever basin mixer DN 10, swivel spout with swing range 30°/30°, flow class Z (max. 0,14 l/s), PCA Cache aerator M 16,5 X l, pop up waste 1 1/4 inch, flexible high pressure supply tubes 3/8 inch with DVGW / KIWA / WRAS / CSTB with metal body length 450 mm, nozzle projection 161 mm, nozzle height 190 mm, lever projection 79 mm, rapid installation set, overall length 270 mm, for pressure type water heater, for continuous line heater, PN 10,

Dimensional drawing



Flow rate diagram

