

Product: KLUDI TERCIO concealed shower mixer, trim set with functional unit

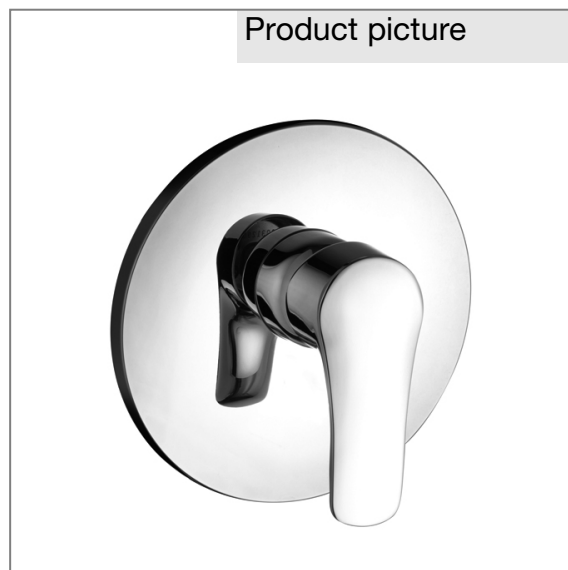
Ref.: 386560575

Product description

concealed shower mixer
 trim set with functional unit
 wall mounting
 solid lever
 ceramic cartridge with hot water safety device
 flow rate 25 l/min at 3 bar
 without pre-installation set
 KLUDI FLEXX.BOXX item no. 88011

Finishes:
 05 chrome

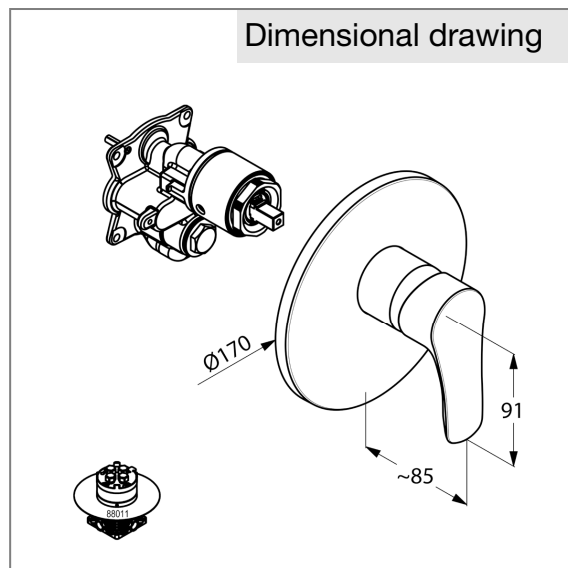
Product picture



Advertisement

concealed shower mixer valve, manufacturer KLUDI GmbH & Co. KG
 KLUDI TERCIO item no. 386560575
 type: concealed shower mixer trim set with functional unit, solid lever chrome plated metal, cover plate chrome plated plastic, ceramic cartridge K-41 with hot water safety device, flow rate 25 l/min at 3 bar, functional unit made of dezincification resistant brass,
 dimensions: diameter cover plate: 170 mm, lever projection 91 mm, projection: 85 mm
 Suitable for pre-installation set KLUDI FLEXX.BOXX DN 20 item no. 88011, not included.

Dimensional drawing



Flow rate diagram

