

Product: **KLUDI ZENTA 2 S shower set DN 15**

Ref.: **6073005-00**

**Product description**

KLUDI ZENTA shower set DN 15  
 L = 600 mm  
 with slider horizontally and vertically adjustable  
 with KLUDI ZENTA 2 S handshower DN 15  
 with cleaning system  
 adjustable to 2 spray patterns  
 shower spray / champagne rain  
 with KLUDI LOGOFLEX-hose  
 plastic coated with metal-effect  
 G 1/2 x G 1/2 x 1600 mm, with conical nuts  
 handshower with optional usable 50 % water  
 consumption regulation  
 noise group I

Finishes:  
 05 chrome

**Advertisement**

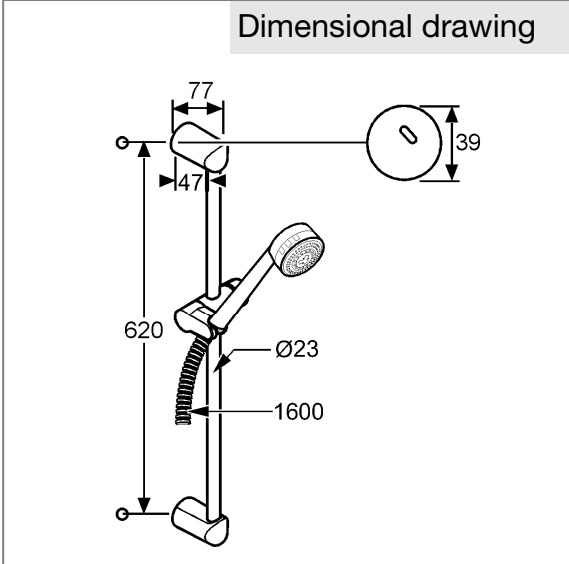
- \* KLUDI GmbH & Co KG KLUDI ZENTA 2 S shower set item no. 6073005-00
- \*\* chrome plated brass / plastic
- \*\*\* DIN EN 1112 / DIN EN 1113

shower set, manufacturer KLUDI GmbH & Co KG KLUDI ZENTA 2 S shower set item no. 6073005-00, DN 15, chrome plated brass / plastic, length 600 mm, with horizontal and vertical adjustable slider, for borehole distance 620 mm, with KLUDI LOGOFLEX hose 1/2 x 1/2 inch x 1600 mm, with conical nuts, with metal effect, with handshower ZENTA 2 S chrome plated plastic, with 2 spray patterns: shower spray / champagne rain, noise level DIN EN 4109 group I, without report no., flow class B max. (0,40 l/s), with cleaning system, connection 1/2 inch, diameter shower head 84 mm, length 230 mm, for pressure type water heater, for continuous line heater (at 0,15 l/s), with optional usable 50 % water consumption regulation ~ 9,5 l/min at 3 bar running pressure (water consumption regulation not for hydraulic continuous line heater), PN 5,

Product picture



Dimensional drawing



Flow rate diagram

