

Product: KLUDI BALANCE single lever bidet mixer DN 15

Ref.: 52216..75

Product description

single lever bidet mixer DN 15
 solid lever
 single hole mounted
 flow class O (0,13 l/s at 3 bar)
 s-pointer eco-aerator M 24 x 1
 ceramic cartridge with hot water safety device
 pop up waste 1 1/4 inch
 rapid installation set
 flexible high pressure supply tubes G 3/8 inch
 noise group I
 P-IX 7501/10

Finishes:
 05 chrome
 91 chrome/white

Product picture

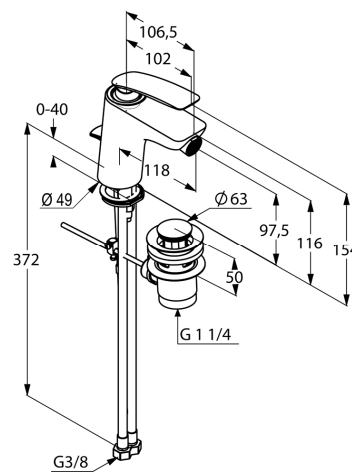


Advertisement

- * KLUDI GmbH & Co KG KLUDI BALANCE single lever bidet mixer item no. 52216..75
- ** ceramic cartridge with hot water safety device Ø 35 mm, DIN EN 817
- *** chrome plated brass, DIN 50930-6

single lever bidet mixer, manufacturer KLUDI GmbH & Co KG KLUDI BALANCE single lever bidet mixer item no. 52216..75, DN 15, finishes 05 = chrome plated / 91 = chrome/white plated brass, ceramic cartridge with hot water safety device Ø 35 mm, solid lever, noise level DIN 4109 group I, report no. P-IX 7501/10, type: single lever bidet mixer DN 15, flow class O (0,13 l/s at 3 bar), pop up waste 1 1/4 inch, flexible high pressure supply tubes 3/8 inch with DVGW / KIWA / WRAS / CSTB with metal body length 372 mm, nozzle projection 118 mm, nozzle height 97,5 mm, rapid installation set, s-pointer eco aerator M 24 x 1, lever projection 102 mm, overall length 154 mm, for pressure type water heater, for continuous line heater, PN 10

Dimensional drawing



Flow rate diagram

