

**Product:** KLUDI STANDARD wall mounted sink mixer DN 15

**Ref.:** 3105505 ..

**Product description**

wall mounted sink mixer DN 15  
 choice of handle  
 handle Terralux metal (08)  
 handle Terralux ABS (15)  
 wall fastening  
 flow class A  
 aerator M 22 x l  
 swivelling spout (360°)  
 outlet screw union G 3/4  
 S unions  
 noise group I, P-IX 1936/IA  
 DIN-DVGW-AT-2177  
 KIWA

Finishes:  
 05 chrome

**Advertisement**

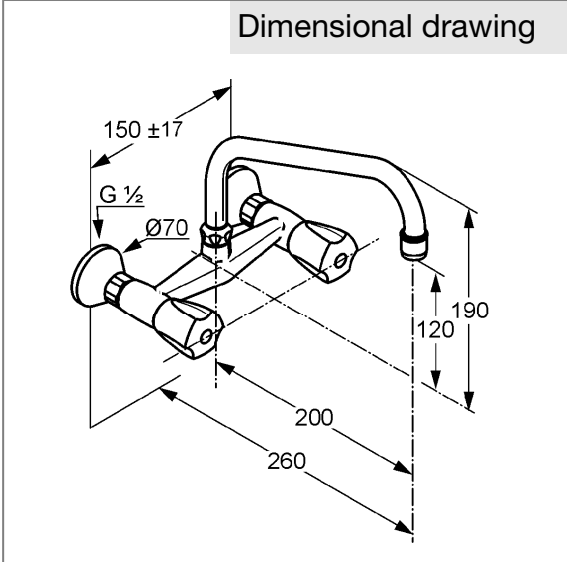
- \* KLUDI GmbH & Co KG KLUDI STANDARD sink wall mixer item no. 310550508/15
- \*\* classic headparts, DIN EN 200
- \*\*\* chrome plated brass, DIN 50930-6

sink wall mixer DN 15, manufacturer KLUDI GmbH & Co KG KLUDI STANDARD sink wall mixer item no. 310550508 / 310550515, DN 15, chrome plated brass, type: sink wall mixer DN 15, swivel spout, handle projection 50 mm, aerator M 22 x l, noise level DIN EN 4109 group I, report no. P- IX 1936 / IA, DIN-DVGW-AT-2177, KIWA approval, flow class A (max. 0,25 l/s), nozzle projection 260, S unions 1/2 x 3/4 inch, classic headparts, handles with marking red/blue, outlet connection 3/4 inch, choice of handle: 08 = handle Terralux chrome plated metal, 15 = handle Terralux ABS chrome plated plastic, for pressure type water heater, for continuous line heater, PN 10

Product picture



Dimensional drawing



Flow rate diagram

