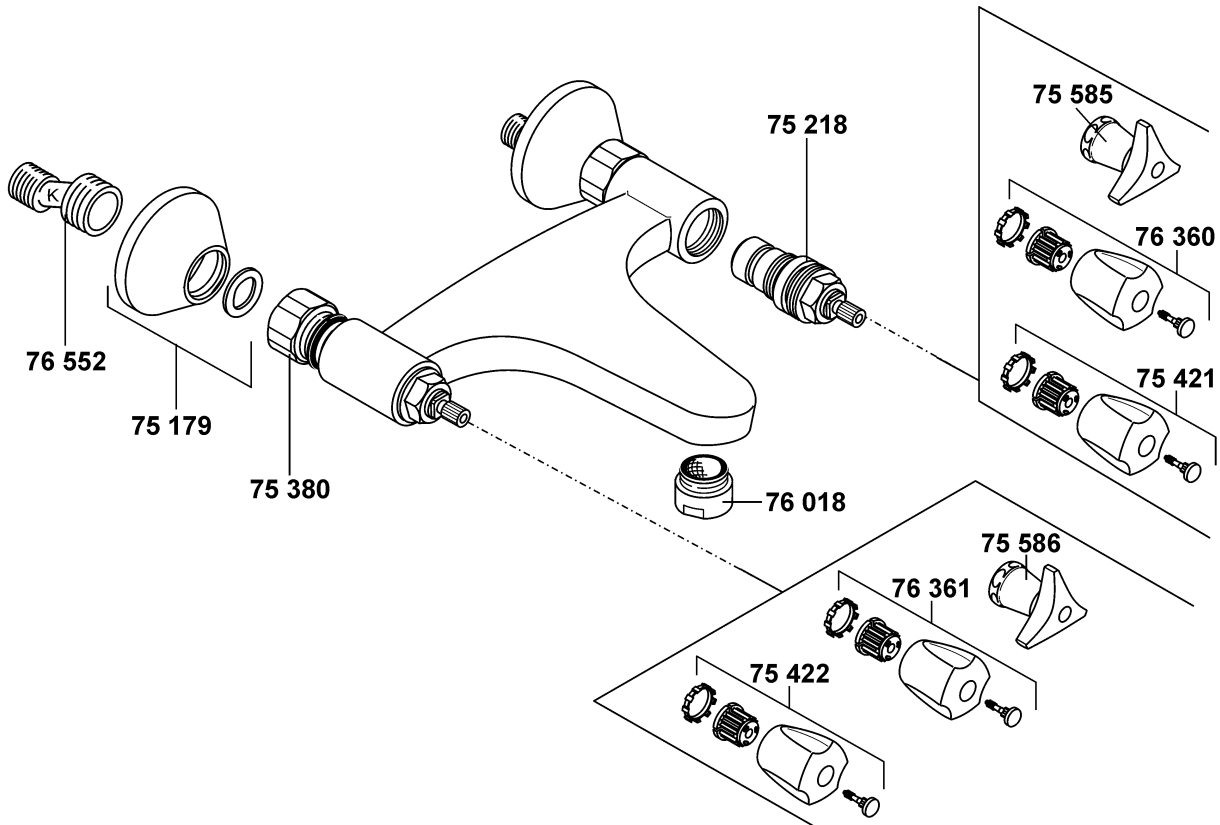


KLUDI STANDARD-CARE

32004



A_3200400

32004

Wandarmatur DN 15

wall mounted mixer DN 15

wandmengkraan 1/2"

75 179 Rosette
 75 218 Klassisches-Oberteil G 1/2
 75 380 Wandarmaturanschluss
 75 421 Griff, Metall, kalt
 75 422 Griff, Metall, warm
 75 585 Griff, Metall, kalt
 75 586 Griff, Metall, warm
 76 018 Care-Strahlregler
 76 360 Griff, Kunststoff, kalt
 76 361 Griff, Kunststoff, warm
 76 552 S-Anschluss

wall flange
 standard compression valve G 1/2
 wall-fitting connection
 handle, metal, cold
 handle, metal, hot
 handle, metal, cold
 handle, metal, hot
 care flow straightener
 handle, plastic, cold
 handle, plastic, hot
 S union

rozet
 traditioneel bovendeeel G 1/2
 wandmengkraan aansluiting
 greep, metaal, koud
 greep, metaal, warm
 greep, metaal, koud
 greep, metaal, warm
 Care-mondstuk
 greep, kunststof, koud
 greep, kunststof, warm
 S-koppeling