

Product: **KLUDI MARIS single lever basin mixer DN 10**

Ref.: **383760581**

Product description

single lever basin mixer DN 10
 solid lever
 single hole mounted
 flow rate 5 l/min
 flow straightener M 24 x l
 ceramic cartridge with hot water safety device
 pop up waste 1 1/4 inch
 rapid installation set
 flexible high pressure supply tubes G 3/8
 for use with displacement heaters
 noise group I
 P-IX 9778/I

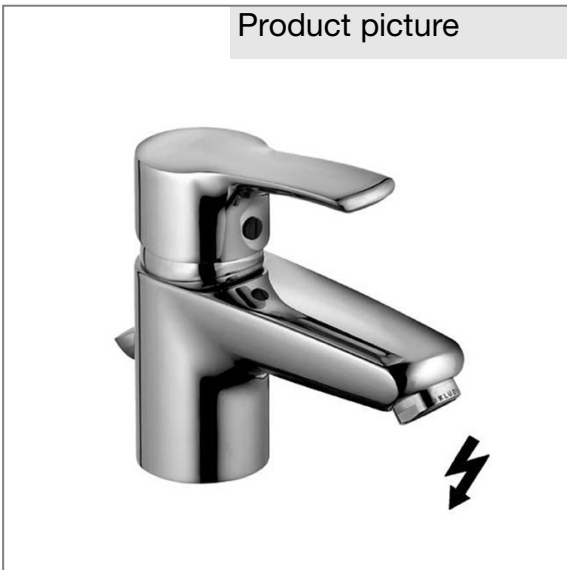
Finishes:
 05 chrome

Advertisement

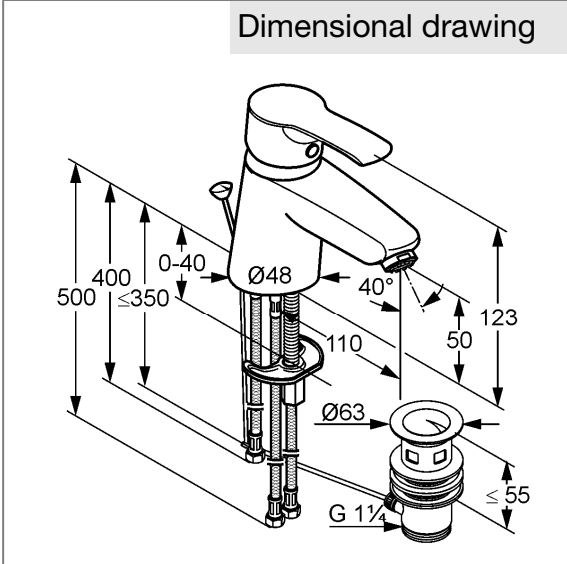
- * KLUDI GmbH & Co KG KLUDI MARIS single lever basin mixer item no. 383760581
- ** ceramic cartridge with hot water safety device Ø 35 mm, ajar to DIN EN 817 / low pressure
- *** brass, DIN 50930-6

single lever basin mixer, manufacturer KLUDI GmbH & Co KG KLUDI MARIS single lever basin mixer item no. 383760581, DN 10, chrome plated brass, ceramic cartridge with hot water safety device Ø 35 mm, solid lever, noise level DIN EN 4109 group I, report no. P- IX 9778 / I, type: single lever basin mixer DN 10, flow rate 5 l/min, pop up waste 1 1/4 inch, flexible high pressure supply tubes 3/8 inch with DVGW / KIWA / WRAS / CSTB with metal body length 500/400 mm, flow straightener M 24 x l, nozzle projection 110 mm, nozzle height 50 mm, lever projection 83 mm, with rapid installation set, overall length 123 mm, for use with displacement heaters, PN 0,

Product picture



Dimensional drawing



Flow rate diagram

