

Product: JOOP! wall mounted basin mixer DN 15

Ref.: 55146 .. 05

Product description

wall mounted basin mixer DN 15
 for concealed installation
 complete with inwall- and trim set
 cylinder handle
 flow class A
 Ovalflow aerator
 ceramic headparts 90°
 noise group I

Finishes:
 05 chrome
 H7 chrome / glass green

Product picture

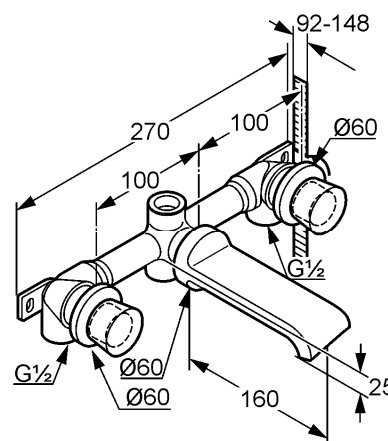


Advertisement

- * KLUDI GmbH & Co KG JOOP! wall mounted basin mixer item no. 55146..05
- ** ceramic headparts 90°, DIN EN 200
- *** chrome plated brass, DIN 50930-6

wall mounted basin mixer, manufacturer KLUDI GmbH & Co KG JOOP! wall mounted basin mixer item no. 55146..05, chrome plated brass, DN 15, ceramic headparts 90°, cylinder handle, noise report DIN EN 4109 group I, without report no., type: wall mounted basin mixer DN 15 for concealed installation, flow class A (max. 0,25 l/s), Ovalflow aerator, nozzle projection 160 mm, complete with inwall- and trim set, surface (lever) optionally = 05 chrome plated, H7 = chrome/glass green, for pressure type water heater, for continuous line heater, PN 10,

Dimensional drawing



Flow rate diagram

