

**Product:** KLUDI L-INE S single lever sink mixer DN 15  
with pull-out spout

**Ref.:** 40851..75

**Product description**

single lever sink mixer DN 15  
single hole mounted  
solid lever  
lateral actuation  
ceramic cartridge  
aerator M 16 x 1  
flow rate 8,2 l/min at 3 bar  
swivelling (360°) and pull-out spout  
protected against backflow  
flexible high pressure supply tubes 3/8 inch  
shank fixing

Finishes:  
05 chrome  
87 chrome/black matt  
93 chrome/white matt

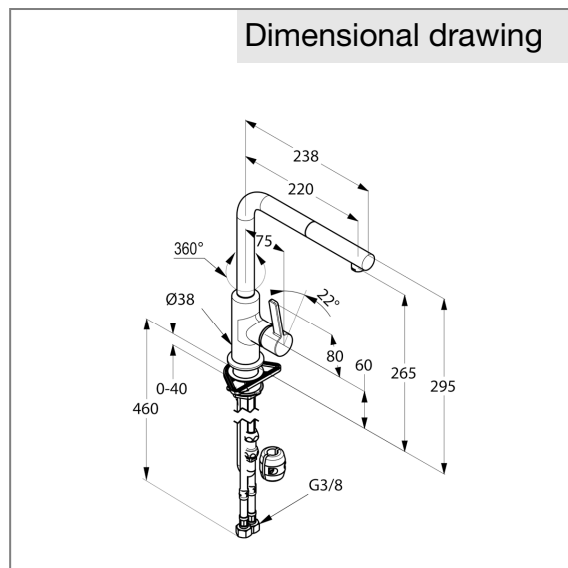
Product picture



**Advertisement**

single lever sink mixer, manufacturer KLUDI GmbH & Co. KG  
KLUDI L-INE S item no. 40851..75  
type: single lever sink mixer DN 15 / PN 10 with swivel (range 360°) and pull out spout (max. 600 mm), chrome plated brass, finishes selectable: 05 = chrome / 87 = chrome/black matt / 93 = chrome/white matt, solid lever chrome plated metal, lateral actuation, ceramic cartridge K-25, aerator M 16 x 1, flow rate 8,2 l/min at 3 bar, with plastic fibre shower hose M 15 x 1 x 1500 mm and counterweight with W270/KTW approval, flexible high pressure supply tubes 3/8 inch with DVGW/W270 approval, protected against backflow EN 1717, shank fixing, dimensions: height: 295 mm, nozzle height: 265 mm, projection: 238 mm, lever projection: 75 mm

Dimensional drawing



Flow rate diagram

