

**Product:** KLUDI ADLON basin mixer DN 8

**Ref.:** 51010 .. 20

**Product description**

basin mixer DN 8  
 cross handles  
 single hole mounted  
 flow class A  
 Cascade aerator M 24 x I  
 ceramic headparts 180°  
 pop up waste 1 1/4 inch  
 rapid installation set  
 copper tubes Ø 10 mm  
 noise group I  
 KIWA

Finishes:  
 05 chrome  
 45 permabrass

**Product picture**

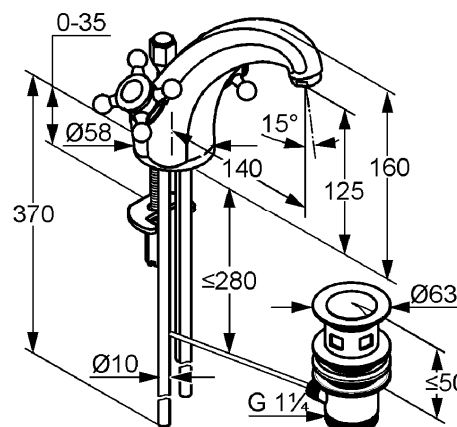


**Advertisement**

- \* KLUDI GmbH & Co KG KLUDI ADLON basin mixer item no. 51010..20
- \*\* ceramic headparts 180°, DIN EN 200 // KIWA appr.
- \*\*\* brass, DIN 50930-6

basin mixer, manufacturer KLUDI GmbH & Co KG KLUDI ADLON basin mixer item no. 51010..20, DN 8, finishes: 05 = chrome / 45 = permabrass plated brass, ceramic headparts 180°, type: basin mixer DN 8, cascade aerator M 24 x I, noise level DIN EN 4109 group I, without report no., KIWA approval, nozzle height 125 mm, copper tubes Ø 10 mm length 370 mm, nozzle projection 140 mm, pop up waste 1 1/4 inch, cross handles, flow class A (max. 0,25 l/s), rapid installation set, overall length 160 mm, for borehole diameter Ø 28 mm, for pressure type water heater, for continuous line heater, PN 10,

**Dimensional drawing**



**Flow rate diagram**

