

Product: KLUDI ZENTA 2 S bath-shower set DN 15

Ref.: 6075005-00

Product description

KLUDI ZENTA bath-shower set DN 15
 with KLUDI ZENTA 2 S handshower DN 15
 with cleaning system
 adjustable to 2 spray patterns
 shower spray / champagne rain
 with KLUDI LOGOFLEX-hose
 plastic coated with metal-effect
 G 1/2 x G 1/2 x 1250 mm, with conical nuts
 fixed wall hook with
 screws and dowels
 handshower with optional usable 50 % water
 consumption regulation
 noise group I

Finishes:
 05 chrome

Advertisement

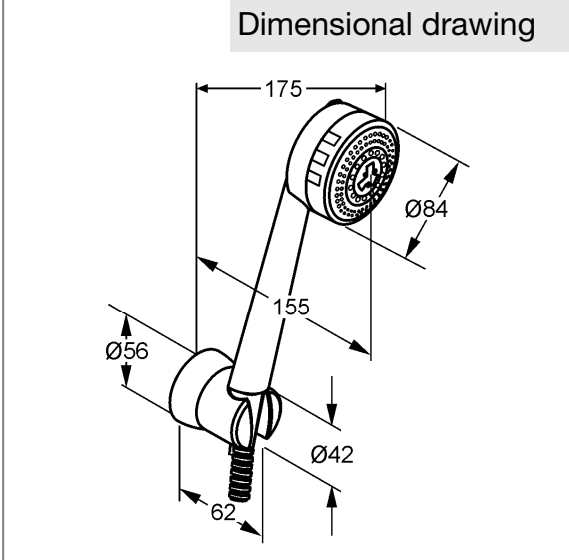
- * KLUDI GmbH & Co KG KLUDI ZENTA 2 S bath shower set item no. 6075005-00
- ** chrome plated plastic
- *** DIN EN 1112 / DIN EN 1113

bath shower set, manufacturer KLUDI GmbH & Co KG KLUDI ZENTA 2 S bath shower set item no. 6075005-00, DN 15, KLUDI ZENTA 2 S handshower chrome plated plastic, noise level DIN EN 4109 group I, without report no., flow class B (max. 0,40 l/s), with cleaning system, with 2 spray patterns: with shower spray / champagne rain, connection 1/2 inch, diameter shower head 84 mm, length 230 mm, with fixed wall hook with fastening screws and dowels, with KLUDI LOGOFLEX hose 1/2 x 1/2 inch x 1250 mm, with conical nuts, with metal effect, projection 175 mm, for pressure type water heater, for continuous line heater (at 0,15 l/s), with optional usable 50 % water consumption regulation ~ 9,5 l/min at 3 bar running pressure (water consumption regulation not for hydraulic continuous line heater), PN 5,

Product picture



Dimensional drawing



Flow rate diagram

