

**Product:** KLUDI A-QA b shower set DN 15

**Ref.:** 6564005-00

**Product description**

shower set DN 15  
 L = 900 mm  
 wall rail  
 with horizontally and vertically adjustable slider  
 KLUDI A-QA b handshower DN 15  
 flow class B  
 with 50 % eco-function  
 KLUDI SIRENAFLEX-shower hose  
 plastic coated  
 with metal-effect  
 with conical nuts  
 G 1/2 x G 1/2 x 1600 mm  
 noise level I

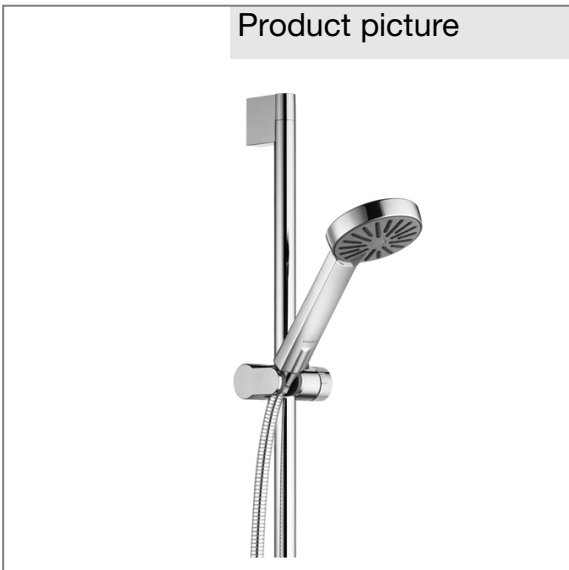
Finishes:  
 chrome

**Advertisement**

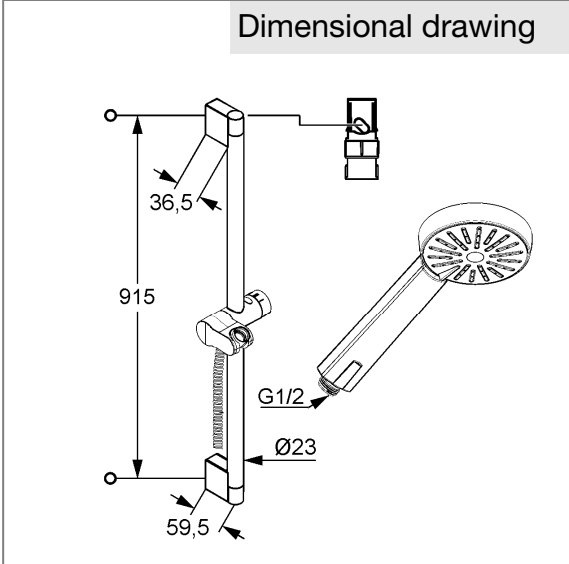
- \* KLUDI GmbH & Co KG KLUDI A-QA b 1 S shower set item no. 6564005-00
- \*\* chrome plated brass/plastic
- \*\*\* DIN EN 1113 / DIN EN 1112

shower set, manufacturer GmbH & Co KG KLUDI A-QA b 1 S shower set item no. 6564005-00, DN 15, chrome plated brass/plastic, length 900 mm, with horizontal and vertical adjustable push-button slider for easy height adjustment, sliding bar with pipe diameter 23 mm, for borehole distance 915 mm, with KLUDI SIRENAFLEX shower hose plastic coated with metal-effect, with conical nuts 1/2 x 1/2 inch x 1600 mm, handshower, manufacturer KLUDI GmbH & Co. KG, KLUDI A-QA b handshower 1 S DN 15, chrome plated plastic, noise level DIN 4109 group I, report no. P- IX ..., with cleaning system, flow class B shower spray at 3 bar (max. flow 0,38 l/s) flow class Z eco-function at 3 bar (max. 0,17 l/s), length 237 mm, connection outside screw 1/2, showerhead height 27,5 mm, diameter showerhead Ø 97 mm, showerhead with adjustment flag for switching on eco-function, for pressure type water heater, for continuous line heater (inlet-control heater at 0,20 l/s), PN 5,

**Product picture**



**Dimensional drawing**



**Flow rate diagram**

