

**Product:** KLUDI STANDARD Multi sink mixer DN 8

**Ref.:** 317030515

**Product description**

Multi sink mixer DN 8  
 Terralux ABS handles  
 single hole mounted  
 flow class A  
 aerator M 22 x I  
 swivelling spout (360°)  
 one connection for washing-machine or dishwasher  
 shank-fixing  
 copper tubes Ø 10 mm  
 noise group I  
 PA-IX 3102/IA  
 DIN-DVGW-AT-2177

Finishes:  
 05 chrome

Product picture

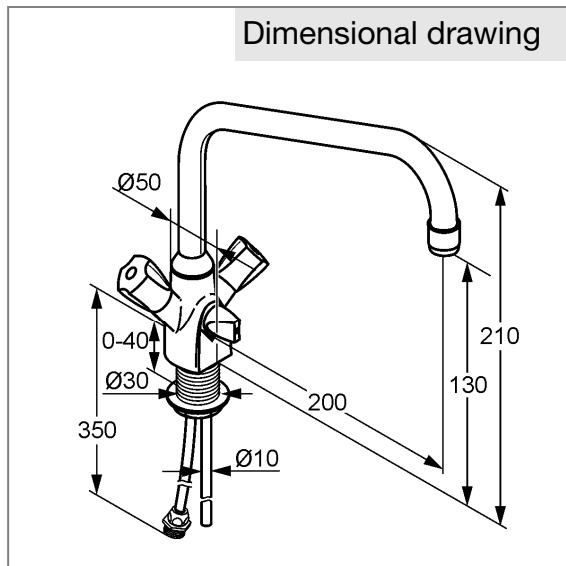


**Advertisement**

- \* KLUDI GmbH & Co KG KLUDI STANDARD Multi sink-mixer item no. 317030515
- \*\* classic headparts, DIN EN 200
- \*\*\* chrome plated brass, DIN 50930-6

Multi- sink mixer, manufacturer KLUDI GmbH & Co KG KLUDI STANDARD Multi-sink mixer item no. 317030515, DN 8, chrome plated, type: Multi-sink mixer DN 8, Terralux ABS handles, handle projection 50 mm, aerator M 22 x I, noise level DIN EN 4109 group I, report no. PA- IX 3102 / IA, flow class A (max. 0,25 l/s), nozzle projection 200 mm, back nut fixing, copper tubes Ø 10 mm length 350 mm, nozzle height 130 mm, classic headparts, handles with marking red/blue, one connection for washing-machine or dishwasher (flow rate at 3 bar 12,2 l/min), swivel spout, overall length 210 mm, for borehole diameter Ø 32 mm, for pressure type water heater, for continuous line heater, PN 10,

Dimensional drawing



Flow rate diagram

