

Product: KLUDI A-QA wall supply DN 15

Ref.: 6554005-00

Product description

wall supply DN 15
with special ring to compensate for
uneven tiling

Finishes:
05 chrome

Product picture

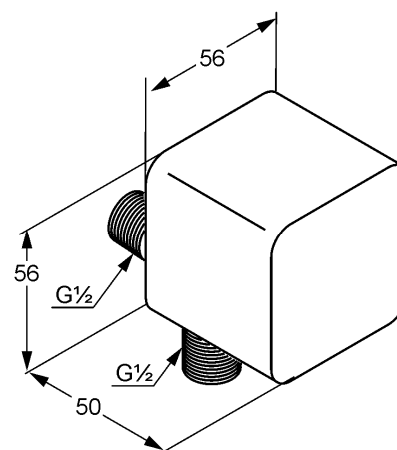


Advertisement

- * KLUDI GmbH & Co KG KLUDI A-QA wall supply DN 15
part no. 6554005-00
- ** of chrome plated plastic / of brass, compliant with DIN 50930-6

wall supply, manufacturer type KLUDI GmbH & Co KG KLUDI A-QA wall supply part no. 6554005-00, DN 15, of chrome-plated brass / plastic, connection 1/2 inch x 1/2 inch, in two parts as wall mounting peg, projection 50 mm, with special ring to compensate for uneven tiling

Dimensional drawing



Flow rate diagram

