

Product: **KLUDI ceiling shower arm 150 DN 15**

Ref.: **6651505-00**

**Product description**

ceiling shower arm  
 1/2 inch male thread  
 length 150 mm  
 without KLUDI headshower

Finishes:  
 05 chrome

**Advertisement**

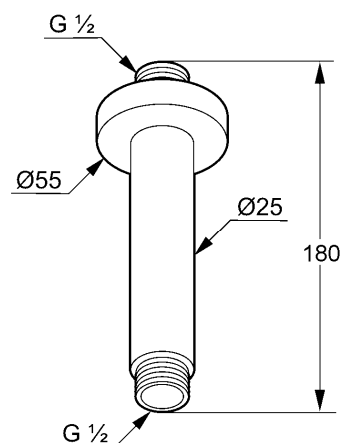
- \* KLUDI GmbH & Co KG KLUDI ceiling shower arm 150 item no. 6651505-00
- \*\* chrome plated brass
- \*\*\* ajar to DIN EN 200

ceiling shower arm, manufacturer KLUDI GmbH & Co KG KLUDI ceiling shower arm 150 item no. 6651505-00, DN 15, chrome plated brass, length 180 mm, 1/2 inch male thread, without headshower, PN 5,

**Product picture**



**Dimensional drawing**



**Flow rate diagram**

