

Product: **KLUDI P - trap G 1 1/4"**

Ref.: **1036105-00**

Product description

Bidet bottle trap G 1 1/4
 G 1 1/4 x Ø 32 mm
 with adjustable fitting and outlet for water
 drainage G 3/4 male thread
 with straight inlet
 with outlet bend Ø 32 x 170 mm
 with wall flange (escutcheon)
 in accordance to DIN EN 274

Finishes:
 05 chrome

Product picture

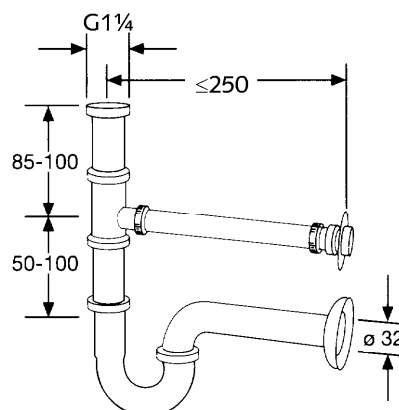


Advertisement

- * KLUDI GmbH & Co KG KLUDI P-Trap item no. 1036105-00
- ** chrome plated brass, with outlet drainage 3/4 inch
- *** DIN EN 274

P-Trap 1 1/4 inch, manufacturer KLUDI GmbH & Co KG KLUDI P-Trap item no. 1036105-00, chrome plated brass, rosette chrome plated diameter Ø 65 mm, for basins, with outlet bend Ø 32 mm x 170 mm, with adjustable fitting and outlet for water drainage, for wall connection ≤ 250 mm, with straight inlet 3/4 inch, adjustable distance between drainage and straight inlet 85 - 100, adjustable distance between siphon and straight inlet 50 - 100, rosette drainage diameter Ø 56 mm, rosette outlet bend diameter Ø 65 mm,

Dimensional drawing



Flow rate diagram

**waste flow rate in
 accordance to
 DIN EN 274
 36,0 l/min**