

**Product:** KLUDI ZENTA single lever basin mixer DN 15, with pop up waste

**Ref.:** 420250575

**Product description**

single lever basin mixer DN 15  
 single hole mounted  
 solid lever  
 lateral actuation  
 ceramic cartridge with hot water safety device  
 aerator M 24 x 1  
 flow rate 8,9 l/min at 3 bar  
 swivel spout (360°)  
 flexible high pressure supply tubes 3/8 inch  
 rapid installation set  
 pop up waste 1 1/4 inch  
 noise group I, P-IX 28256/IZ

Finishes:  
 05 chrome

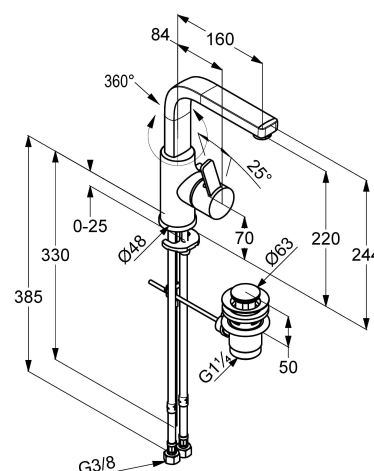
Product picture



**Advertisement**

single lever basin mixer, manufacturer KLUDI GmbH & Co. KG  
 KLUDI ZENTA item no. 420250575  
 type: single lever basin mixer, DN 15 / PN 10, with swivel spout (360°), chrome plated brass, with pop up waste 1 1/4 inch rod-pull and pull knob chrome plated, solid lever chrome plated metal, with lateral actuation, ceramic cartridge K-36 with hot water safety device, aerator M 24 x 1, flow rate 8,9 l/min at 3 bar, flexible high pressure supply tubes 3/8 inch with DVGW / W270 approval, rapid installation set  
 noise level DIN 4109 noise group I, report no. P-IX 28256/IZ  
 dimensions: height: 244 mm, nozzle height: 220 mm, projection: 160 mm, lever projection: 84 mm

Dimensional drawing



Flow rate diagram

