

KLUDI ZENTA SL  
 Concealed single lever bath- and shower mixer

Article- Nr.:  
 486500565

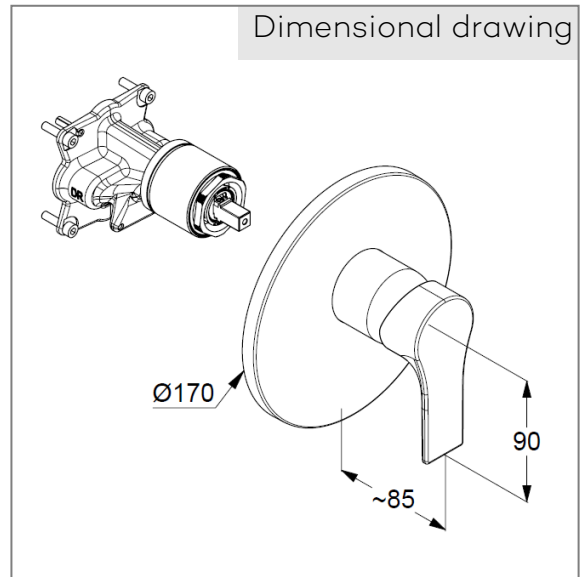
Surface:  
 05 chrome

manufacturer KLUDI GmbH & Co. KG  
 Typ: KLUDI ZENTA SL  
 Concealed single lever bath- and shower mixer,  
 PN 10  
 Art. Nr. 486500565  
 concealed bath-shower mixer  
 single lever mixer  
 trim set without pre-installation set  
 pre installation set KLUDI FLEXX.BOX Art. Nr. 88011  
 trim set with functional unit  
 wall mounted  
 automatic diverter: shower/ bath  
 solid lever, metal  
 ceramic cartridge with hotwater safety device  
 flow rate at 3 bar = 31 l/ min.

Product Picture



Dimensional drawing



Flow rate diagram

