

**Product:** JOOP! single lever basin mixer DN 10

**Ref.:** 55029 .. 05

**Product description**

single lever basin mixer DN 10  
 cylinder lever  
 single hole mounted  
 flow class A  
 Ovalflow aerator  
 ceramic cartridge with hot water safety device  
 without pop up waste  
 rapid installation set  
 flexible high pressure supply tubes G 3/8  
 noise group I  
 P-IX 9770/10

Finishes:  
 05 chrome  
 H7 chrome / glass green

**Product picture**

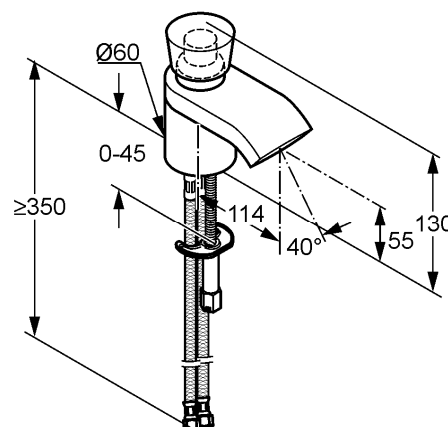


**Advertisement**

- \* KLUDI GmbH & Co KG JOOP! single lever basin mixer item no. 55029..05
- \*\* ceramic cartridge with hot water safety device Ø 35 mm, DIN EN 817
- \*\*\* chrome plated brass, DIN 50930-6

single lever basin mixer, manufacturer KLUDI GmbH & Co KG JOOP! single lever basin mixer item no. 55029..05, DN 10, chrome plated brass, ceramic cartridge with hot water safety device Ø 35 mm, cylinder lever, noise level DIN EN 4109 group I, report no. P- IX 9770 / 10, type: single lever basin mixer DN 10, flow class A (max. 0,25 l/s), with Ovalflow aerator, flexible high pressure supply tubes 3/8 inch with metal body with DVGW / KIWA / WRAS / CSTB length 350 mm, nozzle projection 114 mm, nozzle height 55 mm, overall length 130 mm, rapid installation set, surface (lever) optionally = 05 chrome plated, H7 chrome/glass green, for pressure type water heater, for continuous line heater, PN 10,

**Dimensional drawing**



**Flow rate diagram**

