

Product: **KLUDI KOMET single lever sink mixer DN 8**

Ref.: **33791 .. 62**

Product description

single lever sink mixer DN 8
 open ring lever
 single hole mounted
 flow class A
 aerator M 24 x I
 ceramic cartridge with hot water safety device
 swivelling spout (110°), pull-out hand spray
 protected against back flow
 shank-fixing
 copper tubes Ø 10 mm
 noise group I

Finishes:
 05 chrome

Product picture

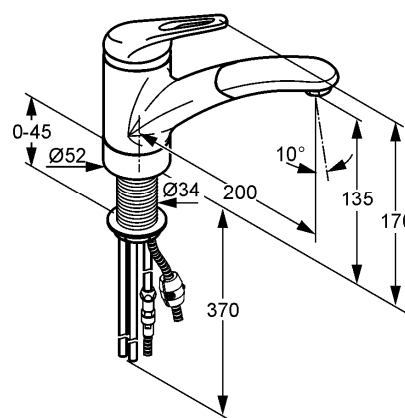


Advertisement

- * KLUDI GmbH & Co KG KLUDI KOMET single lever sink mixer item no. 33791..62
- ** ceramic cartridge with hot water safety device Ø 35 mm, DIN EN 817
- *** brass, DIN 50930-6

single lever sink mixer, manufacturer KLUDI GmbH & Co KG KLUDI KOMET item no. 33791..62, DN 8, finishes: chrome plated brass, type: single lever sink mixer DN 8, swivel pull out spout (max. 700 mm), open ring lever, lever projection 85 mm, aerator M 24 x I, noise level DIN 4109 group I, without report no., flow class A (max. 0,25 l/s), nozzle projection 200 mm, back nut fixing, copper tubes Ø 10 mm length 370 mm, nozzle height 135 mm, overall length 170 mm, ceramic cartridge with hot water safety device Ø 35 mm, shower hose with metal body M 15 x I x 1500 mm with W270/KTW-A, protected against back flow ..EN 1717, for borehole diameter Ø 34 mm, for pressure type water heater, for continuous line heater, PN 10,

Dimensional drawing



Flow rate diagram

