

Product: KLUDI ROTEXA MULTI bath filling, waste and overflow set G 1 1/2

Ref.: 2131500-00

Product description

KLUDI ROTEXA MULTI bath filling, waste and overflow set G 1 1/2
 concealed parts (rough in)
 mixed water connection DN 15
 incl. rinsing set
 with fixed siphon trap
 two ball-joints
 50 mm water seal height
 noise level I, without trim set
 for trim sets: 71820 / 70855 / 71826 / 70856
 approved acc. to DIN EN 274 / DIN 19545
 type tested and monitored
 LGA-CERTIFICATE No. 5371088

Advertisement

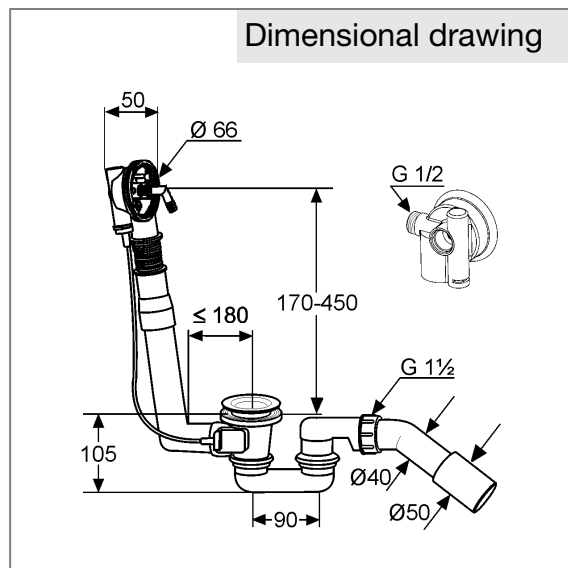
- * KLUDI GmbH & Co KG KLUDI ROTEXA MULTI bath filling, waste and overflow set item no. 2131500-00
- ** white plastic // without trim set item no. 7182005-00 or 7085505-00 or 7182605-00 or 7085605-00
- *** DIN EN 274 / DIN 19545

bath filling waste and overflow set, manufacturer KLUDI GmbH & Co KG KLUDI ROTEXA MULTI bath filling, waste and overflow set item no. 2131500-00, 1 1/2 inch, white plastic, type: bath filling waste and overflow set G 1 1/2, water supply over connector 1/2 inch / DN 15 incl. rinsing set, two ball joints, 50 mm water seal height, tested acc. DIN EN 274 / DIN 19 545, with bowden cable, overflow connector DN 40 / 50, sieve stainless steel, type test LGA Bayern, white plastic, for outlet connection ≤ 180 mm, for overflow connection 170 - 450, overall height siphon 105 mm, for course hole 52 mm, waste flow in accordance to DIN EN 274 / 19545 = H1 = 275 mm ~ 54 l/min,

Product picture



Dimensional drawing



Flow rate diagram

flow rate reg.
 DIN EN 274 / 19545
 H1 = 275 mm
 ~ 54,0 l/min

