

Technical Data

KLUDI PUSH

concealed thermostatic bath-shower mixer
trim set without pre-installation set
PN 10

Ref.:
389110538

Finishes:
05 chrom

Product description

Manufacturer KLUDI GmbH & Co. KG

Typ: KLUDI PUSH

concealed thermostatic bath-shower mixer
trim set without pre-installation set
Ref.: 389110538

concealed thermostatic shower mixer
on-off with push button

2 Function

trim set without pre-installation set

pre installation set KLUDI FLEXX.BOXX Art. Nr. 88011

in-wall-installation

trim set with functional unit

vertical wall mounted

temperature handle with hotwater safety

flow rate at 3 bar 28 l/ min.

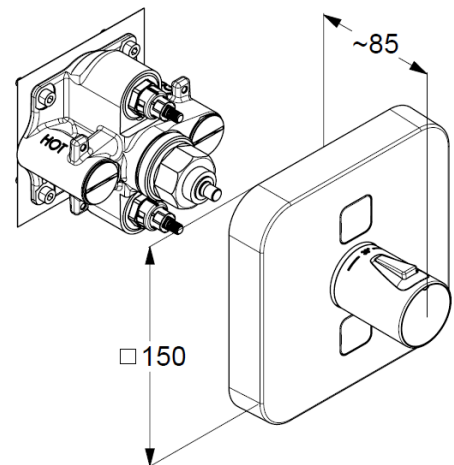
with integrated back flow preventer

simultaneous use of 2 function possible

Product picture



Dimensional drawing



Flow rate diagram

