

Product: **KLUDI DESIGN bottle trap 1 1/4"**

Ref.: **1002005-00**

**Product description**

Design bottle trap 1 1/4"  
 G 1 1/4 x Ø 32 mm x 320  
 with outlet tube Ø 32 x 290 mm  
 with wall flange (escutcheon) Ø 65 mm  
 adjustable drain pipe up to 120 mm  
 with access to clean  
 according to DIN EN 274

Finishes:  
 05 chrome

**Product picture**

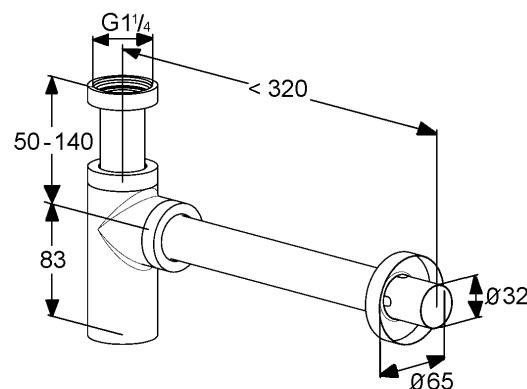


**Advertisement**

- \* KLUDI GmbH & Co KG KLUDI Design bottle trap item no. 1002005-00
- \*\* chrome plated brass
- \*\*\* DIN EN 274

bottle trap 1 1/4 inch, manufacturer KLUDI GmbH & Co KG KLUDI bottle trap item no. 1002005-00, chrome plated brass, rosette chrome plated diameter 65 mm, for wash basin, with outlet tube 32 mm x 290 mm, adjustable drain pipe 50 ≤ 140 mm, with locker for cleaning, for wall connection ≤ 320 mm, waste flow rate in accordance to EN 274 ~ 36,0 l/min,

**Dimensional drawing**



**Flow rate diagram**

**waste flow rate in  
 accordance to  
 DIN EN 274  
 36,0 l/min**