

Product: KLUDI MX single lever sink mixer DN 15

Ref.: 39904..62

Product description

single lever sink mixer DN 15
 single hole mounted
 open ring lever
 ceramic cartridge with hot water safety device
 cascade aerator M 24 x 1
 flow class A
 swivelling spout (360°)
 flexible high pressure supply tubes 3/8 inch
 rapid installation set
 noise group I, P-IX 18638/IA

Finishes:
 05 chrome
 82 chrome/mocca
 91 chrome/white

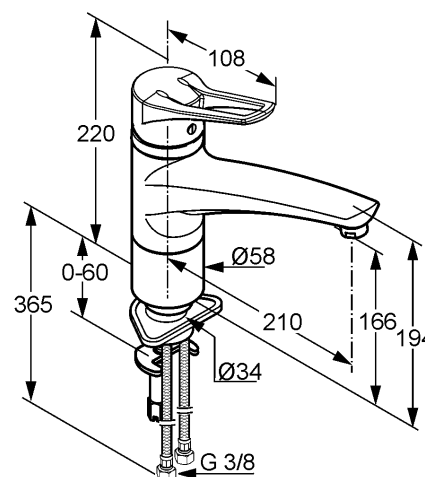
Product picture



Advertisement

single lever sink mixer, manufacturer KLUDI GmbH & Co KG
 KLUDI MX item no. 39904..62
 type: single lever sink mixer DN 15 / PN 10 with swivel spout (360°), made of brass,
 finishes selectable: 05 = chrome; 82 = chrome/mocca; 91 = chrome/white, open ring
 lever made out of metal, ceramic cartridge K-41 with hot water safety device, cas-
 cade aerator M 24 x 1, flow rate 9,5 l/min at 3 bar, flexible high pressure supply tubes
 3/8 inch with DVGW / W270 approval, rapid installation set
 noise level DIN EN 4109 noise group I, report no. P-IX 18638/IA
 dimensions: height: 220 mm, nozzle height: 166 mm, projection: 210 mm, lever
 projection: 108 mm

Dimensional drawing



Flow rate diagram

