

Product: **KLUDI MX single lever basin mixer DN 10**

Ref.: **331350562**

Product description

single lever basin mixer DN 10
 open ring lever
 single hole mounted
 flow rate 5 l/min
 flow straightener M 24 x l
 ceramic cartridge with hot water safety device
 pop up waste 1 1/4 inch
 rapid installation set
 flexible high pressure supply tubes G 3/8
 for use with displacement heaters
 noise group I

Finishes:
 05 chrome

Product picture

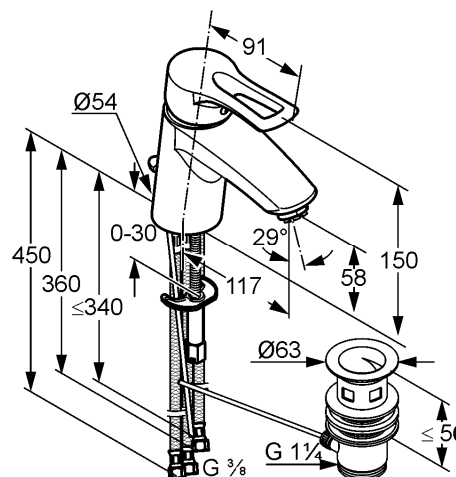


Advertisement

- * KLUDI GmbH & Co. KG KLUDI MX single lever basin mixer item no. 331350562
- ** ceramic cartridge with hot water safety device Ø 41 mm, ajar to DIN EN 817 for use with displacement heaters
- *** chrome plated brass, DIN 50930-6

single lever basin mixer, manufacturer KLUDI GmbH & Co. KG KLUDI MX single lever basin mixer item no. 331350562, DN 10, chrome plated brass, ceramic cartridge with hot water safety device Ø 41 mm, open ring lever, noise level DIN EN 4109 group I, without report no., type: single lever basin mixer DN 10, flow rate 5 l/min, pop up waste 1 1/4 inch, flexible high pressure supply tubes 3/8 inch with DVGW / KIWA / WRAS / CSTB with metal body 450/360 mm, nozzle projection 117 mm, nozzle height 58 mm, lever projection 91 mm, rapid installation set, flow straightener M 24 x l, overall length 150 mm, for use with displacement heaters, PN 0,

Dimensional drawing



Flow rate diagram

