

Product: KLUDI OBJEKTA concealed bath/shower mixer, trim set with functional unit

Ref.: 326570575

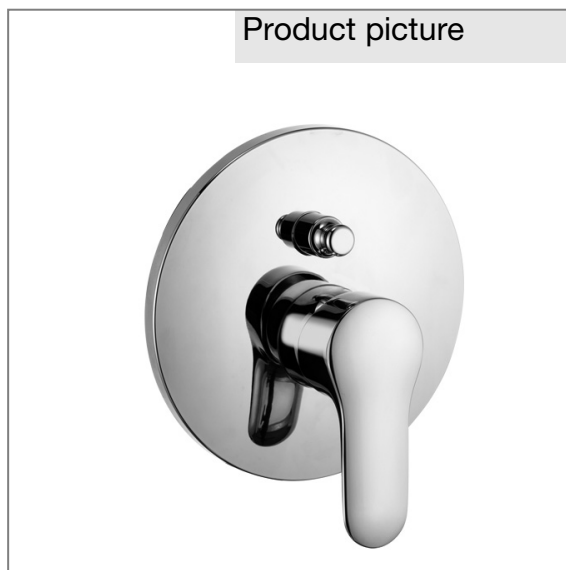
Product description

concealed bath and shower mixer
 trim set with functional unit
 wall mounting
 solid lever
 ceramic cartridge with hot water safety device
 flow rate bath tub filler 21 l/min at 3 bar
 flow rate shower outlet 31 l/min at 3 bar
 automatic diverter: shower to bath tub
 protected against back flow
 without pre-installation set
 KLUDI FLEXX.BOXX item no. 88011
 noise group II, P-IX 28134/IIDB
 DVGW NW6506CP0026

Finishes:
 05 chrome



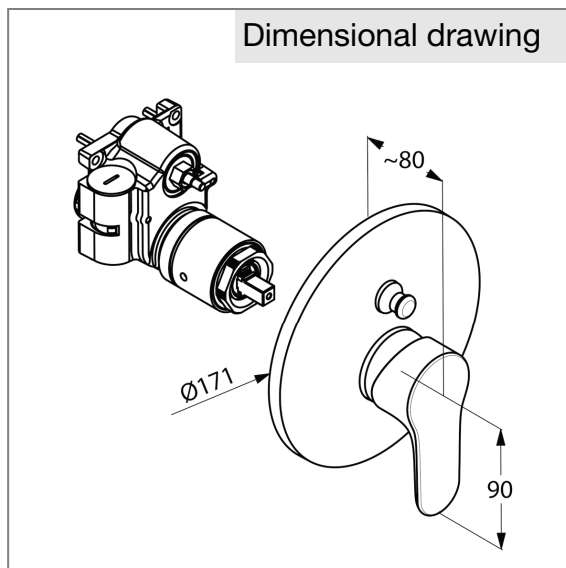
Product picture



Advertisement

concealed bath/shower mixer valve, manufacturer KLUDI GmbH & Co. KG
 KLUDI OBJEKTA item no. 326570575
 type: concealed bath and shower mixer trim set with functional unit, solid lever
 chrome plated metal, cover plate chrome plated plastic, ceramic cartridge K-41 with
 hot water safety device, flow rate to bath tub filler 21 l/min at 3 bar, flow rate to
 shower outlet 31 l/min at 3 bar, automatic diverter: shower to bath tub, functional unit
 made of dezincification resistant brass, protected against back flow DIN EN 1717,
 noise level DIN EN 4109 group II, report no. P-IX 28134/IIDB,
 DVGW NW-6506CP0026
 dimensions: diameter cover plate: 171 mm, lever projection: 90 mm, projection: 80
 mm
 Suitable for pre-installation set KLUDI FLEXX.BOXX DN 20 item no. 88011,
 not included.

Dimensional drawing



Flow rate diagram

