

Product: KLUDI ZENTA electronic controlled pillar tap DN 15

Ref.: 3820505

Product description

electronic controlled pillar tap DN 15
 with electric power supply via 230 V main adapter
 single hole mounted
 magnet-cartridge unit, without mixing shaft
 without control handle
 aerator M 24 x 1
 flow rate 5,8 l/min at 3 bar
 optical object-registration
 rapid installation set
 flexible high pressure supply tube 3/8 inch with integrated back
 flow preventer

Finishes:
 05 chrome

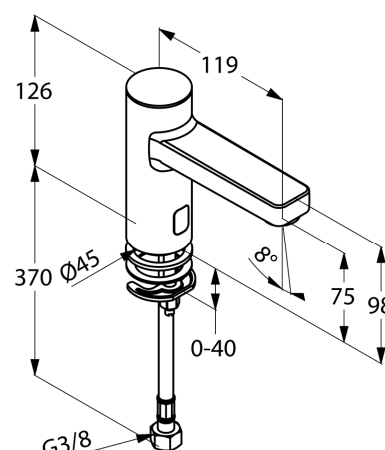
Product picture



Advertisement

Electronic controlled pillar tap, manufacturer KLUDI GmbH & Co. KG
 KLUDI ZENTA item no. 3820505
 type: electronic pillar tap, DN 15 / PN 10, chrome plated brass, without mixing shaft,
 without temperature control handle, aerator M 24 x 1, flow rate 5,8 l/min at 3 bar,
 activation optoelectrical, electric power supply via 230 V main adapter, safety class
 IP 65, max. warm water intake temperature 65 °C, with functional reliability magnet-
 cartridge unit, valve closed in rest position, maximum water run-time 2 minutes,
 flexible high pressure supply tubes with metal body 3/8 inch with integrated back
 flow preventer with DVGW / W270 approval, rapid installation set
 dimensions: height: 126 mm, nozzle height: 75 mm, projection: 119 mm
 (if static pressure greater than > 5 bar install a pressure reducer)

Dimensional drawing



Flow rate diagram

