

Product: **KLUDI STANDARD stand pillar tap DN 15**

Ref.: **204080508**

### Product description

stand pillar tap DN 15  
 handle Terralux metal (08)  
 single hole mounted  
 flow class Z  
 flow rate 6 l/min  
 PCA cascade - aerator M 24 x l with antiheft device  
 swivel / lockable spout  
 ceramic headpart 180°  
 handle marking: blue or red  
 noise group I  
 P- IX 9216/IZ

Finishes:  
 05 chrome

Product picture

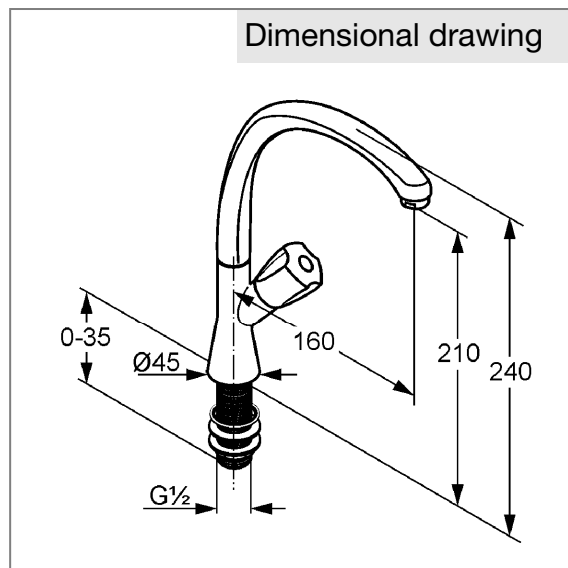


### Advertisement

- \* KLUDI GmbH & Co KG KLUDI STANDARD stand pillar tap item no. 204080508
- \*\* ceramic headpart 180 °, DIN EN 200
- \*\*\* chrome plated brass, DIN 50930-6

stand pillar tap, manufacturer KLUDI GmbH & Co KG KLUDI STANDARD stand pillar tap item no. 204080508, DN 15, chrome plated brass, type: stand pillar tap DN 15, swivel / lockable spout, lever projection 50 mm, cascade aerator with anti heft device M 24 x l, noise level DIN EN 4109 group I, report no. P- IX 9216 / I Z, flow class Z, flow level 6 l/min, nozzle projection 160 mm, back nut fixing, without rigid pipe Ø 10 mm, nozzle height 210 mm, ceramic headpart 180°, choice of handle marking: blue or red, thread connection 1/2 inch with cap nut, overall length 240 mm, PN 10

Dimensional drawing



Flow rate diagram

