

**Product:** KLUDI Balance concealed thermostatic mixer, trim set with functional unit

**Ref.:** 527290575

**Product description**

concealed thermostatic mixer  
trim set with functional unit  
without shut-off valve  
hot water safety device 38 °C  
without pre-installation set  
KLUDI FLEXX.BOXX item no. 88011

Finishes:  
05 chrome

Product picture



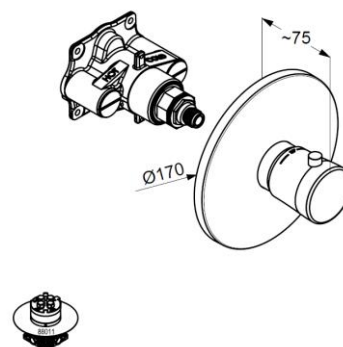
**Advertisement**

concealed thermostatic mixer, manufacturer KLUDI GmbH & Co. KG,

KLUDI Balance item no. 527290575

type: concealed thermostatic mixer trim set with functional unit THM for pre-installation set KLUDI FLEXX.BOXX DN 20 item no. 88011, without shut-off valve, handle chrome plated metal, cover plate chrome plated plastic, temperature control handle with hot water safety device 38°C, flow rate 40 l/min at 3 bar, functional unit made of dezincification resistant brass, Suitable for pre-installation set KLUDI FLEXX.BOXX DN 20 item no. 88011, not included.

Dimensional drawing



Flow rate diagram

