

**Product:** KLUDI A-QA v shower set DN 15

**Ref.:** 6209605-00

**Product description**

shower set DN 15  
 L = 1100 mm  
 flexible wall rail  
 with horizontal and vertical adjustable slider with  
 button for height adjustment  
 fitted to pre-installation holes up to 1020 mm  
 KLUDI A-QA s handshower DN 15  
 adjustable to 3-spray jets  
 Booster / Smooth / Volume  
 KLUDI SUPARAFLEX-showerhose  
 G 1/2 x G 1/2 x 1600 mm  
 with conical nuts  
 noise group I

Finishes:  
 05 chrome

**Advertisement**

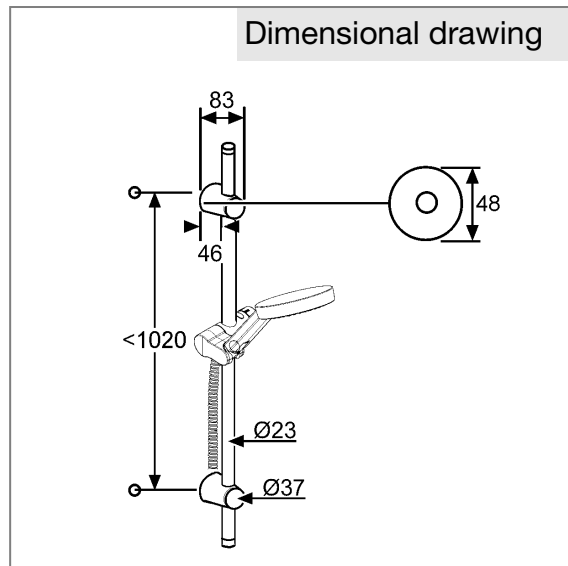
- \* KLUDI GmbH & Co KG KLUDI A-QA v shower set item no. 6209605-00
- \*\* chrome plated brass/plastic
- \*\*\* DIN EN 1112 / DIN EN 1113

shower set, manufacturer Kludi GmbH & Co KG KLUDI A-QA v shower set item no. 6209605-00, DN 15, chrome plated brass/plastic, fitted to pre- installation holes up to 1020 mm, with horizontal and vertical adjustable slider with button for height adjustment, upper pipe individually adjustable, KLUDI SUPARAFLEX showerhose with metal-effect, anti twist and conical nuts 1/2 x 1/2 inch x 1600 mm, with soap dish, length 1100 mm, without shortening set item no. 7043005-00, KLUDI A-QA s handshower 3 S item no. 6570005-00, DN 15, chrome plated plastic, noise level DIN 4109 group I, report no. P- IX ..., with cleaning system, flow class B (max. flow 0,40 l/s) adjustable to 3 spray patterns: Booster / Smooth / Volume - jet, flow rate at 3 bar without flow resistance: Volume jet = 22,5 l/min / Booster jet = 15,1 l/min / Smooth jet = 16,3 l/min, length 250 mm, connection outside screw 1/2, showerhead height 20 mm, diameter showerhead Ø 120 mm, showerhead with adjustment flag, for pressure type water heater, for continuous line heater, PN 5,

**Product picture**



**Dimensional drawing**



**Flow rate diagram**

