

**Product:** KLUDI BOZZ concealed 2-hole basin mixer, trim set

**Ref.:** 382440576

**Product description**

concealed 2-hole basin mixer  
trim set  
solid lever  
flow class Z  
s-pointer eco aerator M 24 x l  
Ø disc 70 mm  
projection 180 mm  
without pre-installation set 38243

Finishes:  
05 chrome

**Product picture**

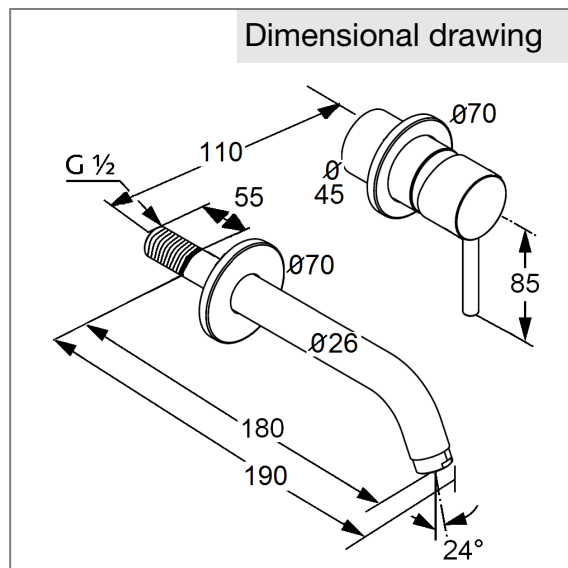


**Advertisement**

- \* KLUDI GmbH & Co KG KLUDI BOZZ concealed 2-hole basin mixer - trim set item no. 382440576
- \*\* brass, DIN 50930-6, DIN EN 817

concealed 2-hole basin mixer - trim set, manufacturer KLUDI GmbH & Co KG KLUDI BOZZ concealed 2-hole basin mixer - trim set item no. 382440576, chrome plated brass, solid lever, noise level DIN 4109 group I, without report no., type: concealed 2-hole basin mixer trim set DN 15, flow class Z (max. 0,15 l/s), s-pointer eco aerator M 24 x l, nozzle projection 180/190 mm, lever projection 85 mm, without concealed pre-installation set DN 15 item no. 38243, covering Ø disc 70 mm, for pressure type water heater, continuous line heater, PN 10,

**Dimensional drawing**



**Flow rate diagram**

