

Product: **KLUDI BOZZ single lever basin mixer DN 10**

Ref.: **382970576**

Product description

single lever basin mixer DN 10
 solid lever
 single hole mounted
 flow rate 5 l/min
 Cache-flow straightener M 16,5 x l
 ceramic cartridge with hot water safety device
 pop up waste 1 1/4 inch
 rapid installation set
 flexible high pressure supply tubes G 3/8
 for use with displacement heaters
 noise group I

Finishes:
 05 chrome

Product picture

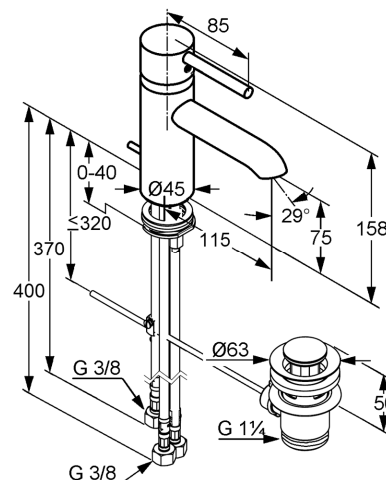


Advertisement

- * KLUDI GmbH & Co KG KLUDI BOZZ single lever basin mixer item no. 382970576
- ** ceramic cartridge with hot water safety device Ø 35 mm, ajar to DIN EN 817 / low pressure
- *** brass, DIN 50930-6

single lever basin mixer, manufacturer KLUDI GmbH & Co KG KLUDI BOZZ single lever basin mixer item no. 382970576, DN 10, chrome plated brass, ceramic cartridge with hot water safety device Ø 35 mm, solid lever, noise level DIN 4109 group I, without report no., type: single lever basin mixer DN 10, flow rate 5 l/min, with pop up waste 1 1/4 inch, flexible high pressure supply tubes 3/8 inch with DVGW / KIWA / WRAS / CSTB with metal body length 400/370 mm, nozzle projection 115 mm, nozzle height 75 mm, lever projection 85 mm, Cache flow straightener M 16,5 x l, overall length 158 mm, for use with displacement heaters, PN 0,

Dimensional drawing



Flow rate diagram

