

Product: KLUDI stand pillar tap DN 15

Ref.: 381160530

Product description

stand pillar tap DN 15
 Cylindrical handle
 single hole mounted
 flow class Z
 s-pointer Cache Eco-aerator M 18,5 x l
 ceramic headpart 90°
 shank-fixing
 noise group I
 without rigid pipe Ø 10 x 500 item no. 1620305
 without flexible high pressure supply tube
 item no. 7605500-00

Finishes:
 05 chrome

Advertisement

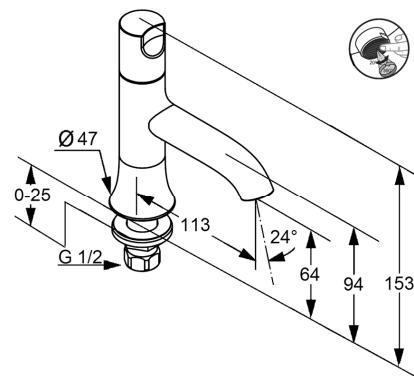
- * KLUDI GmbH & Co KG KLUDI stand pillar tap item no. 381160530
- ** ceramic headpart 90°, DIN EN 200
- *** brass, DIN 50930-6

stand pillar tap, manufacturer KLUDI GmbH & Co KG KLUDI stand pillar tap item no. 381160530, DN 15, chrome plated brass, ceramic headpart 90°, cylindrical handle, noise level DIN 4109 group I, without report no., type: stand pillar tap DN 15, flow class Z (max. 0,15 l/s), s-pointer Cache Eco-aerator M 18,5 x l, nozzle projection 113 mm, nozzle height 64, with back nut fixing, with adapter for pipes 1/2 inch, overall length 153 mm, without rigid pipe 10 mm x 500 mm item no. 1620305 or without flexible high pressure supply tube 3/8 x 1/2 inch x 500 mm item no. 7605500-00, for pressure type water heater / continuous line heater (if using mixed water max. 38°C), PN 10,

Product picture



Dimensional drawing



Flow rate diagram

