

**Product:** KLUDI OBJEKTA bayonet single lever sink mixer DN 15

**Ref.:** 325780575

**Product description**

bayonet single lever sink mixer DN 15  
 single hole mounted  
 solid lever  
 ceramic cartridge with hot water safety device  
 aerator M 24 x 1  
 flow rate 13,3 l/min at 3 bar  
 swivelling spout (360°)  
 for installation below window  
 remaining height at the base: 25 mm  
 flexible high pressure supply tubes G 3/8  
 shank-fixing

Finishes:  
 05 chrome

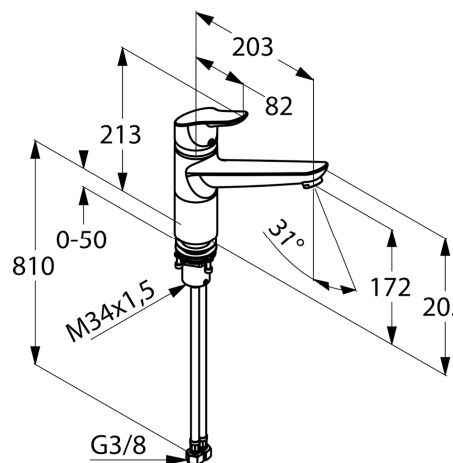
Product picture



**Advertisement**

bayonet single lever sink mixer, manufacturer KLUDI GmbH & Co. KG  
 KLUDI OBJEKTA item no. 325780575  
 type: bayonet single lever sink mixer, DN 15 / PN 10 with swivel spout (360°), chrome plated brass, solid lever chrome plated metal, ceramic cartridge K-35 with hot water safety device, aerator M 24 x 1, flow rate 13,3 l/min at 3 bar, for installation below window, remaining height at the base 25 mm, flexible high pressure supply tubes 3/8 inch with DVGW / W270 approval, shank-fixing  
 dimensions: height: 213 mm, nozzle height: 172 mm, projection: 203 mm, lever projection: 82 mm

Dimensional drawing



Flow rate diagram

