

Product: KLUDI MARIS single lever basin mixer XL DN 15, with pop up waste

Ref.: 383840581

Product description

single lever basin mixer XL DN 15
 single hole mounted
 solid lever
 ceramic cartridge with hot water safety device
 aerator M 24 x 1
 flow rate 11,6 l/min at 3 bar
 flexible high pressure supply tubes G 3/8 inch
 rapid installation set
 pop up waste 1 1/4 inch
 noise group I, P-IX 9777/IA

Finishes:
 05 chrome

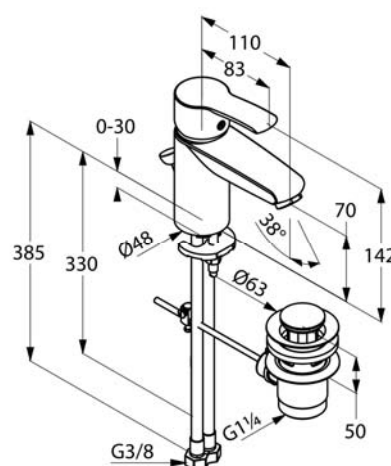
Product picture



Advertisement

single lever basin mixer, manufacturer KLUDI GmbH & Co. KG
 KLUDI MARIS item no. 383840581
 type: single lever basin mixer XL, DN 15 / PN 10, chrome plated brass, with pop up waste 1 1/4 inch rod-pull and pull knob chrome plated, solid lever chrome plated metal, ceramic cartridge K-35 with hot water safety device, aerator M 24 x 1, flow rate 11,6 l/min at 3 bar, flexible high pressure supply tubes 3/8 inch with DVGW / W270 approval, rapid installation set
 noise level DIN EN 4109 noise group I, report no. P-IX 9777/IA
 dimensions: height: 142 mm, nozzle height: 70 mm, projection: 110 mm, lever projection: 83 mm

Dimensional drawing



Flow rate diagram

