

Product: **KLUDI ADLON basin mixer DN 15**

Ref.: **51043 .. 20**

Product description

basin mixer DN 15
 cross handles
 three hole deck mounted
 flow class A
 Cascade aerator M 24 x I
 ceramic headparts 180°
 flexible high pressure supply tubes
 G 1/2 x G 1/2 x 300 mm
 pop up waste 1 1/4 inch
 without rigid pipe Ø 10 x 500 item no. 16203 ..
 noise group I
 KIWA

Finishes:
 05 chrome
 45 permabrass

Product picture

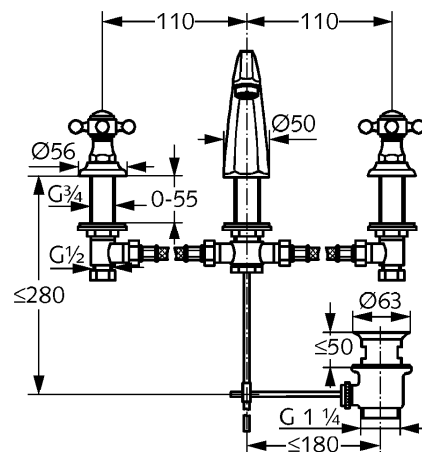


Advertisement

- * KLUDI GmbH & Co KG KLUDI ADLON basin mixer item no. 51043..20
- ** ceramic headpart 180°, DIN EN 200 // KIWA appr.
- *** plated brass, DIN 50930-6

basin mixer, manufacturer KLUDI GmbH & Co KG KLUDI ADLON basin mixer item no. 51043..20, DN 15, finishes: chrome / permabrass plated brass, ceramic headparts 180°, type: basin mixer 3 hole deck mounted DN 15, cascade aerator M 24 x I A, noise level DIN 4109 group I, without report no., KIWA approval, flow class A (max. 0,25 l/s), nozzle height 100 mm, nozzle projection 150 mm, flexible high pressure supply tubes with DVGW / KIWA / WRAS / CSTB 300 x 1/2 x 1/2 inch with metal body, pop up waste 1 1/4 inch, cross handles, without rigid pipes item no. 16203.. (Ø 10 mm x 500 mm), for pressure type water heater, for continuous line heater, PN 10,

Dimensional drawing



Flow rate diagram

