

Product: KLUDI ADLON bath and shower mixer DN 15

Ref.: 51525 .. 20

Product description

bath and shower mixer DN 15
 cross handles
 four hole tiles deck mounted installation
 flow class BB
 Cascade aerator M 28 x l
 ceramic headparts 180°
 automatic diverter: shower to bath tub
 protected against back flow
 retractable KLUDI ADLON handshower
 flexible high pressure supply tubes
 G 1/2 x G 1/2 x 400 mm
 projection 220 mm
 noise group I

Finishes:
 05 chrome
 45 permabrass

Advertisement

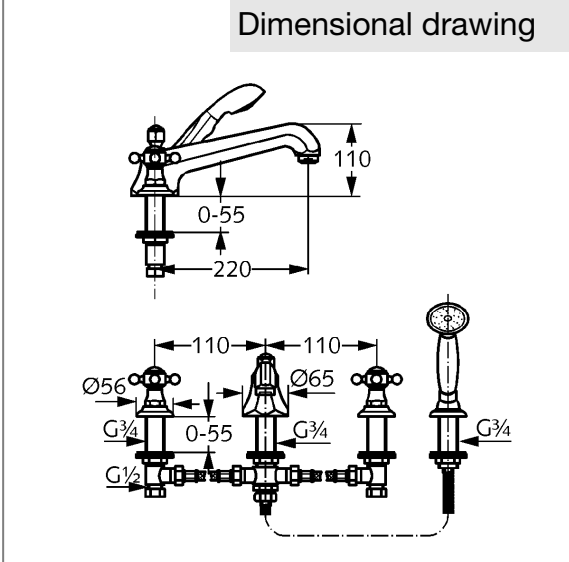
- * KLUDI GmbH & Co KG KLUDI ADLON bath and shower mixer item no. 51525..20
- ** ceramic headparts 180 °, DIN EN 200
- *** brass, DIN 50930-6

bath and shower mixer, manufacturer KLUDI GmbH & Co KG KLUDI ADLON bath and shower mixer item no. 51525..20, DN 15, finishes: 05 = chrome / 45 = permabrass plated brass, ceramic headparts 180 °, type: bath and shower mixer 4 hole deck mounted DN 15, cascade aerator M 28 x l B, noise level DIN EN 4109 group I, without report no., nozzle height 110 mm, nozzle projection 220 mm, flexible high pressure supply tubes with DVGW / KIWA / WRAS / CSTB 1/2 x 1/2 inch x 400 mm with metal body, protected against back flow DIN EN 1717, automatic diverter: shower to bath tub, retractable KLUDI ADLON handshower chrome plated brass/ceramic, shower spray, shower hose 1/2 inch x 15 x 1 length 2000 mm with W270/KTW-A, shuft for shower hose, flow class BB (max. 0,42 l/s), cross handles, for pressure type water heater, for continuous line heater, PN 10, without rigid pipes item no. 16203.. (10 mm x 500 mm) or flexible high pressure supply tubes 6115000-00 G 1/2 x G 1/2 x 600 mm, PN 10,

Product picture



Dimensional drawing



Flow rate diagram

