

Product: **KLUDI place saving trap G 1 1/4"**

Ref.: **1025505-00**

**Product description**

place saving trap G 1 1/4"  
 G 1 1/4 x Ø 32 mm  
 with wall flange Ø 65 mm (escutcheon)  
 with outlet bend Ø 32 mm  
 DIN EN 274

Finishes:  
 05 chrome

**Product picture**

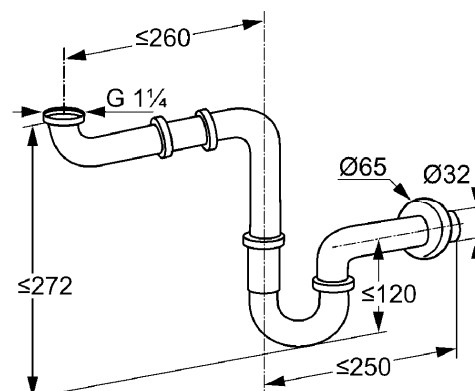


**Advertisement**

- \* KLUDI GmbH & Co KG KLUDI place saving trap item no. 1025505-00
- \*\* chrome plated brass, DIN EN 248
- \*\*\* DIN EN 274

place saving trap 1 1/4 inch, manufacturer KLUDI GmbH & Co KG KLUDI place saving trap item no. 1025505-00, chrome plated brass, rosette diameter Ø 65 mm, for wash basin, with outlet bend Ø 32 mm x 200 mm, screwed fitting 32 mm, for wall connection ≤ 510 mm, waste flow reg. to DIN EN 274 = 36,0 l/min,

**Dimensional drawing**



**Flow rate diagram**

**waste flow rate in  
 accordance to  
 DIN EN 274  
 36,0 l/min**